



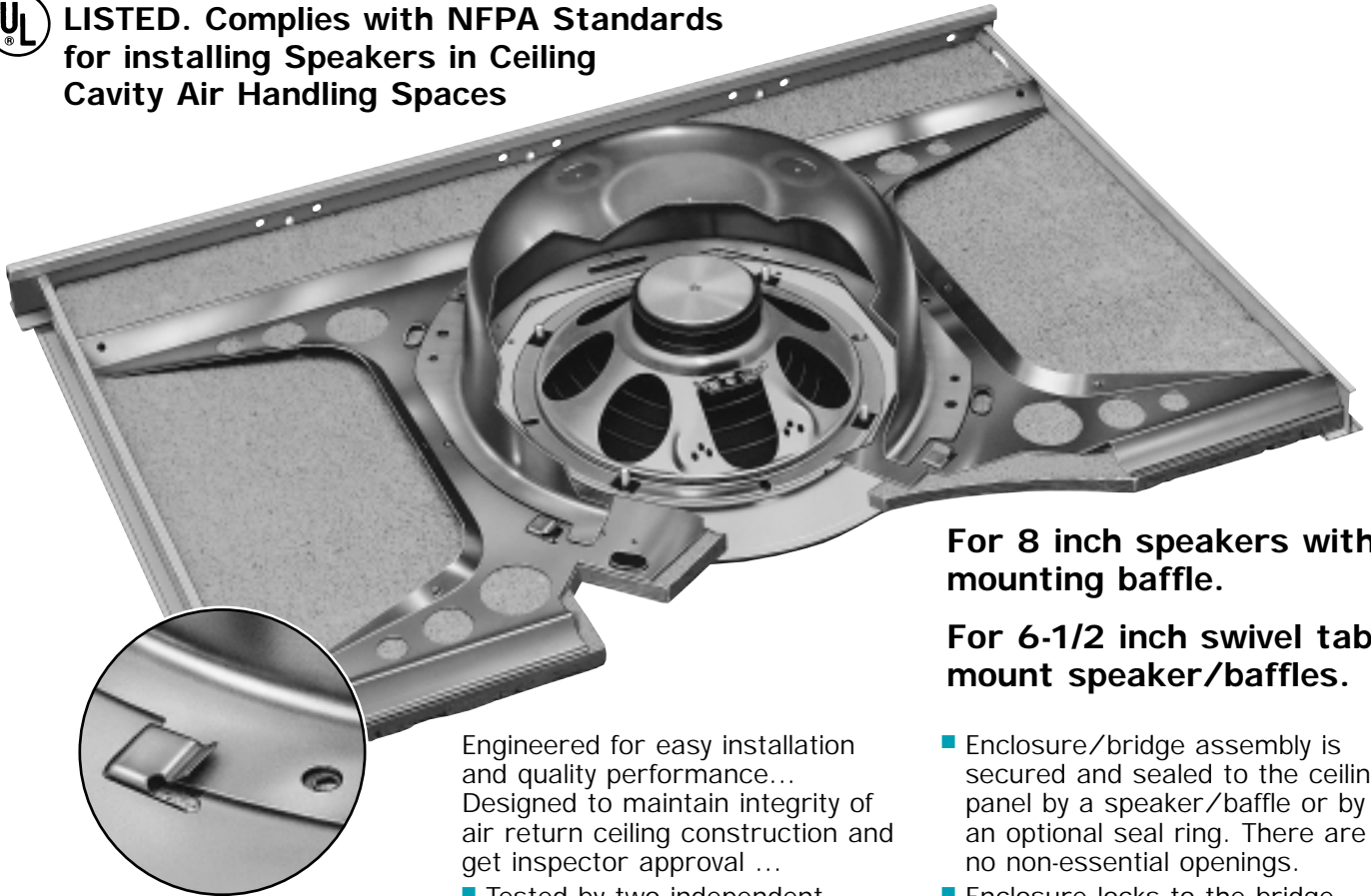
The Plenum Connection

for speakers in Ceiling Cavity Air Handling Spaces

Enclosure (U.L. Listed)
with Tee Bar Bridge
with Drywall Bridge
and optional Seal Ring

Model PE8
Model PB8
Model PW8
Model PR8

 LISTED. Complies with NFPA Standards for installing Speakers in Ceiling Cavity Air Handling Spaces



Twist...Snap...Lock!

Recessed Speaker Installation Systems for:

- T-bar suspended ceiling construction.
- Drywall (Gypsum Board) ceiling construction.

Engineered for easy installation and quality performance... Designed to maintain integrity of air return ceiling construction and get inspector approval ...

- Tested by two independent laboratories.
 1. Listed by Underwriters Laboratories, Inc. for use in ceiling cavity air handling spaces.
 2. PE8/PB8 assembly passed a pilot scale fire endurance test as a fixture in a 3 hour rated T-bar Floor/Ceiling design. Copy of laboratory "Compliance Report" available on request.
- Complies with codes for speaker systems in ceiling cavity air return spaces per NFPA 70 (NEC) 1999, part 300-22(c)(2) and NFPA 90A, 1999, Article 2-3.10.2(a) Exc 3.

For 8 inch speakers with mounting baffle.

For 6-1/2 inch swivel tab mount speaker/baffles.

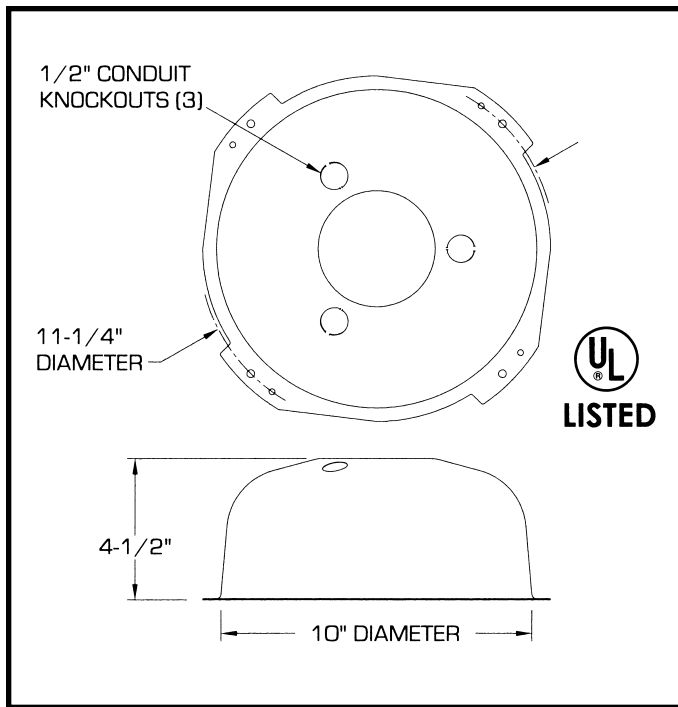
- Enclosure/bridge assembly is secured and sealed to the ceiling panel by a speaker/baffle or by an optional seal ring. There are no non-essential openings.
- Enclosure locks to the bridge with a twist. No screws, less labor.
- Galvanized steel construction.
- Multiple tie points are provided for accessories and safety/seismic security wires if required.
- Panel resonance is controlled for minimal sound "coloration". No acoustical damping is needed.

"The Plenum Connection" enclosure/bridge system is in stock and ready for immediate shipment like all the other fine, American made products from Fourjay, the company that has been doing it right since 1956.



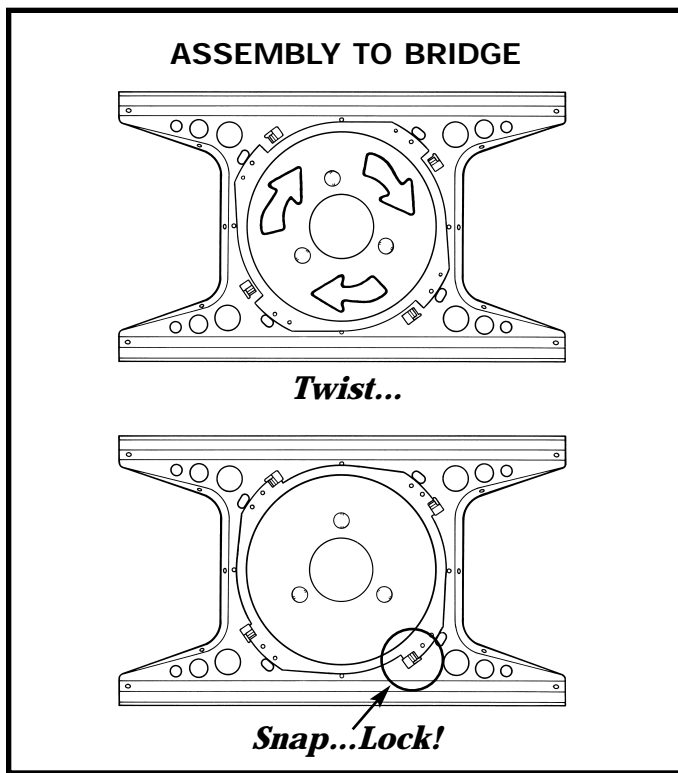
FOURJAY SINCE 1956
INDUSTRIES, INC.

3400 STOP EIGHT ROAD • P.O. BOX 13617 • DAYTON, OH 45413-0617
TELEPHONE (937) 890-6444 • FAX (800) 4J HORNS (454-6767)
WEBSITE: <http://www.fourjay.com> • EMAIL: 4j@fourjay.com



Model PE8 - Enclosure

- Listed by Underwriters Laboratories, Inc., category UEAY and UUMW, for speaker installations where the ceiling cavity may be part of an air handling system. Refer to NFPA 70 (NEC) 1999, part 300-22(c)(2). Complies with NFPA 90A, 1999, Article 2-3.10.2(a) Exc 3. Complies with safety standards UL1480 and UL2043.
 - Three knockouts for listed metallic type fittings for 1/2" conduit, 3/8" armored cable and plenum rated cable.
 - Rugged 20 gauge galvanized steel, deep draw, one piece construction.
 - Maintains ceiling integrity when assembled to bridge and secured; no unnecessary openings.
 - A PE8 Enclosure/PB8 Bridge assembly with PR8 Ring, steel baffle and heat barrier, passed a pilot scale, fire endurance test in a standard 3 hour rated non-combustible floor/ceiling construction. (See "The Fire Barrier Connection" for guidelines applicable to fire resistive construction). Copy of test lab compliance report available on request.
 - Panel resonance is controlled for minimal sound "coloration". No damping material is needed.
 - Parts nest together for minimum storage space.
 - Twist-snap-lock PE8 Enclosure to Bridge, model PB8 or PW8. Secures without screws.
- Note:** If a large baffle is used that requires a wide hole pattern (11-1/4" dia. circle) assemble PE8 Enclosure to Bridge PB8 or PW8 before attaching the speaker/baffle assembly.



ARCHITECT'S & ENGINEER'S SPECIFICATIONS.

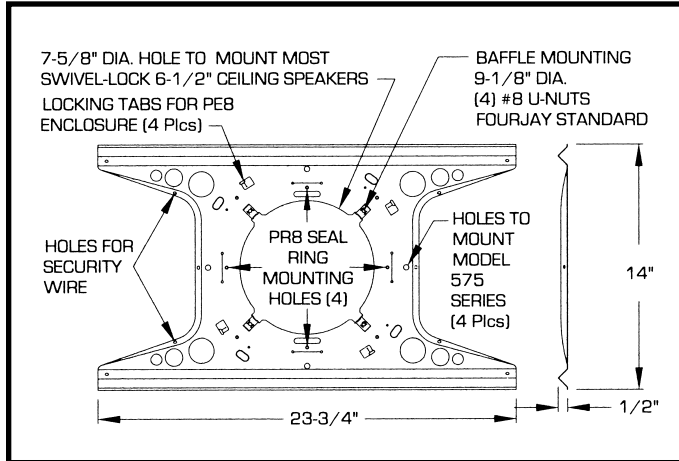
The speaker enclosure shall be made of 20 gauge (0.032" min.) galvanized steel, shall have 3 standard 1/2" conduit fitting knockouts, and be 4-1/2" deep. When assembled to a support bridge (Fourjay model PB8 or PW8), the enclosure design shall permit use with an 8" or smaller speaker for general purpose or for voice alarm. The PE8 Enclosure when used with Bridge PB8 or PW8 shall be listed by Underwriters Laboratories, Inc., categories UEAY and UUMW. Material and construction shall permit use where the ceiling cavity may be part of an air handling system. Refer to NFPA 70 (NEC), part 300-22(c)(2) and NFPA 90A, 1999, part 2-3.10.2(a) Exc 3. When assembled to a ceiling panel of a 3 hour rated floor/ceiling design the PE8/PB8 assembly, with required heat barrier, shall pass a pilot scale fire endurance test. The speaker enclosure shall be Fourjay model PE8.



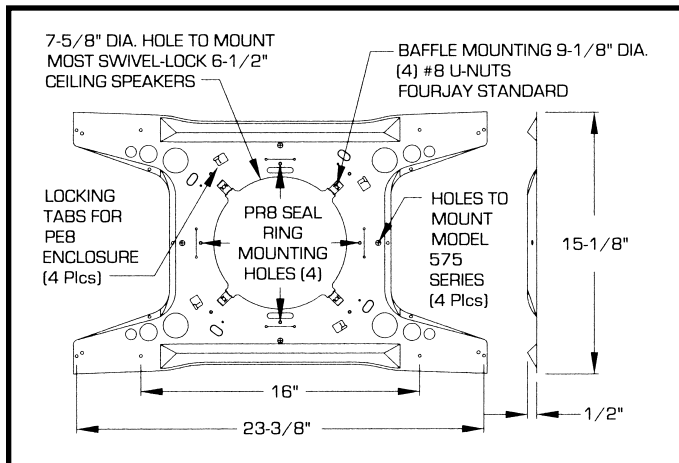
FOURJAY SINCE 1956
INDUSTRIES, INC.

3400 STOP EIGHT ROAD • P.O. BOX 13617 • DAYTON, OH 45413-0617
TELEPHONE (937) 890-6444 • FAX (800) 4J HORNS (454-6767)
WEBSITE: <http://www.fourjay.com> • EMAIL: 4j@fourjay.com

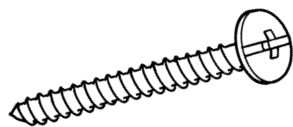
Model PB8 Tee Bar Bridge



Model PW8 Drywall Bridge



ACCESSORIES



***NOTE:** Fourjay baffles come with #8 x 1-1/2" sheet metal screws but other baffles may come with machine screws. Order accessory kit for proper mounting.

KIT NO. K15

#8 x 1-1/2" Truss Whitehead sheet metal screws for use with white baffles. Kit contains 80 screws.

KIT NO. K25

#8 x 2-1/2" Truss Whitehead sheet metal screws for use with extra thick, low density tile. Kit contains 100 screws.

Bridge - Models PB8 and PW8

- Accepts Model PE8 Enclosure using one step twist-snap-lock assembly.
- Supports all loudspeaker/baffles that mount on 9-1/8" (Fourjay Standard) or 11-1/4" dia. circle.
- Supports 6-1/2" speakers that mount in a 7-5/8" dia. hole and secure with swivel lock tabs.
- Supports Model 575 speaker system.
- Slots provided for most torsion spring baffles.
- 24 gauge, galvanized steel construction.
- Extruded holes and U-nuts take #8 sheet metal screws for mounting baffle and optional seal ring.
- Convenient tie points for support wires if needed to comply with safety and seismic security codes.
- Parts nest together for minimum storage space.
- Hole scriber supplied with each shipment.

Model PB8 - Tee Bar Bridge

- For suspended ceiling tile speaker installations. Spans 2 ft. dimension of 2' x 2' and 2' x 4' tiles.
- For T-bar tiles larger than standard 2 ft. use 3/4" angle stock to support bridge at side rails.
- Load deflection 1/8" max with 50 lb load.

Model PW8 - Drywall Bridge

- For new construction drywall (Gypsum board) wall or ceiling speaker installation. Provision for screw or nail attachment to studs, joists or concealed ceiling frame grid on 16" or 24" centers.

ARCHITECT'S & ENGINEER'S SPECIFICATIONS

**Tee Bar Bridge, Model PB8
 Drywall Bridge, Model PW8**

The Bridge shall accept Fourjay model PE8 twist-snap-lock enclosure in a UL Listed assembly. It shall be made of 24 gauge galvanized steel. It shall have means to flush-mount a speaker/baffle assembly of either 9-1/8" (Fourjay standard) or larger 11-1/4" mounting circle with #8 sheet metal screws; or support a swivel-lock tab mount speaker that requires a 7-5/8" mounting hole. The Bridge shall have multiple accessible tie points to secure wires for accessories or suspension for safety and seismic security.

Tee Bar Bridge Model PB8:

When placed on 2' span of 2' x 2' or 2' x 4' T-bar suspended tile ceiling the bridge shall support at least 10 times standard speaker assembly load. The Tee Bar Bridge shall be Fourjay model PB8.

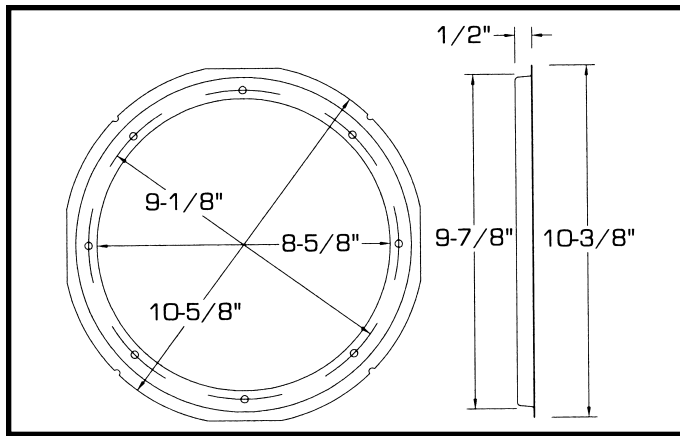
Drywall Bridge Model PW8:

Shall have provisions for assembly to joists, studs or concealed ceiling grid spaced on 16" or 24" centers. The Drywall Bridge shall be Fourjay model PW8.

In Stock

...Immediate Shipment



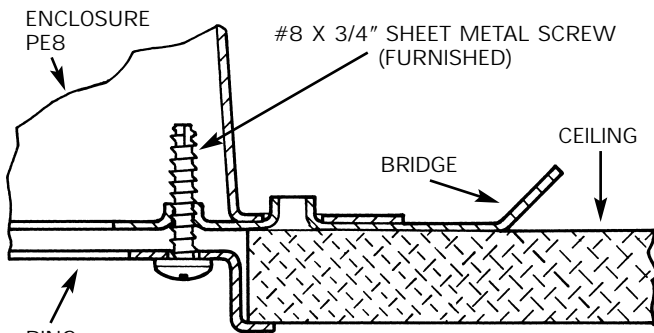


Model PR8 - Seal Ring

- Optional accessory for use with Fourjay standard speaker baffles that mount on 9-1/8" circle.
- Use to secure assembly of Tee Bar Bridge PB8 or Drywall Bridge PW8 with Enclosure PE8 to ceiling panel before installing speaker/baffle assembly.
- 24 gauge, galvanized steel construction.
- Fits 10" round hole in ceiling. Secure to bridge with #8 sheet metal screws.
- (4) #8 x 3/4" sheet metal screws furnished.
- May also be inverted to use as plaster ring with Bridge PW8 in new drywall ceiling construction.

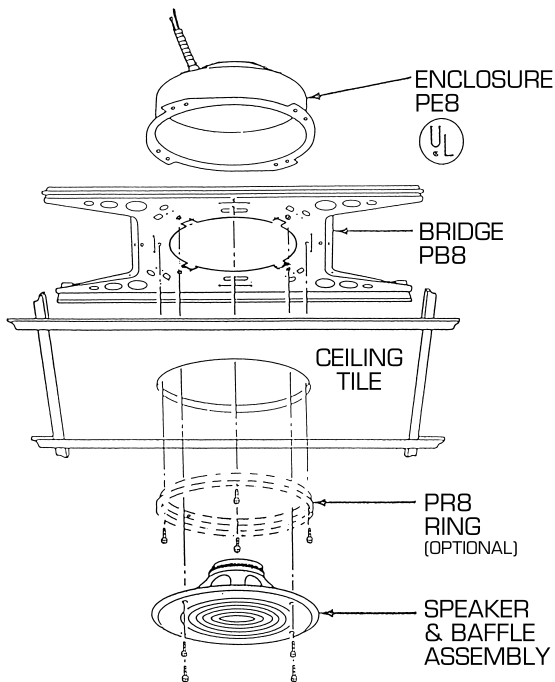
ARCHITECT'S & ENGINEER'S SPECIFICATIONS

The seal ring shall be an optional accessory used to secure an assembly of Fourjay Bridge PB8 or PW8 with Enclosure PE8 to a plenum or fire barrier ceiling to maintain integrity before speaker/baffle components are installed. The PR8 may be used as a plaster ring when used with a PW8 Bridge in new drywall ceiling construction. The ring shall be made of 24 gauge galvanized steel and shall have provisions to fasten to the bridge with #8 sheet metal screws. The seal ring shall be Fourjay model PR8.

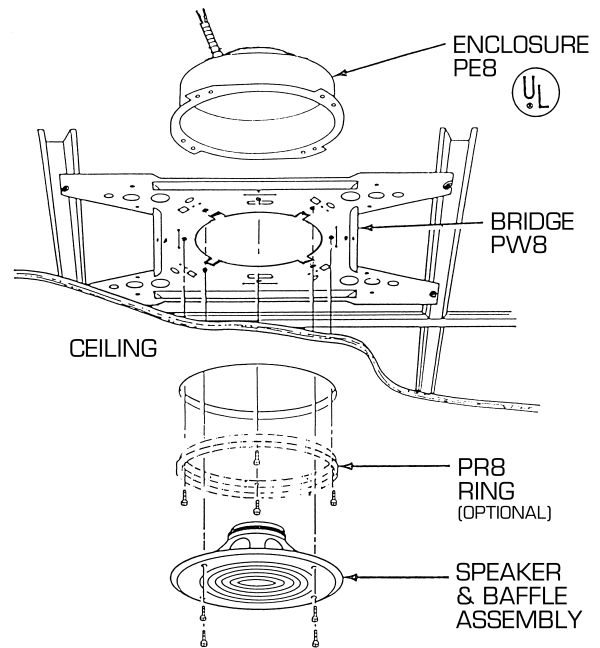


CROSS SECTION OF BRIDGE. HOUSING & SEAL RING ASSEMBLED TO CEILING TILE

Tee Bar Ceiling Assembly



Drywall Ceiling Assembly



FOURJAY SINCE 1956
INDUSTRIES, INC.

3400 STOP EIGHT ROAD • P.O. BOX 13617 • DAYTON, OH 45413-0617
TELEPHONE (937) 890-6444 • FAX (800) 4J HORNS (454-6767)
WEBSITE: <http://www.fourjay.com> • EMAIL: 4j@fourjay.com