



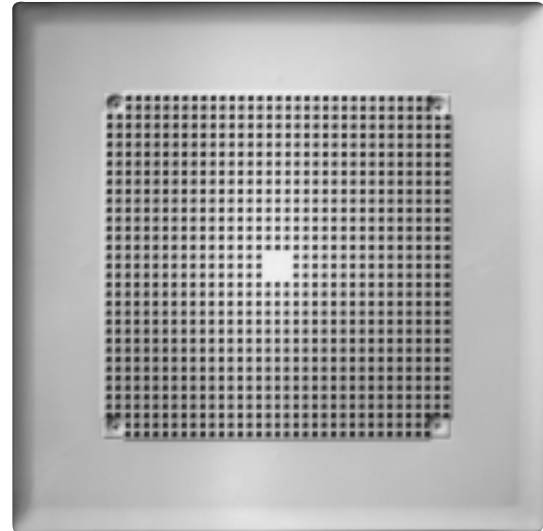
# Square Ceiling Baffle

for 8" Speakers

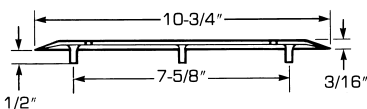
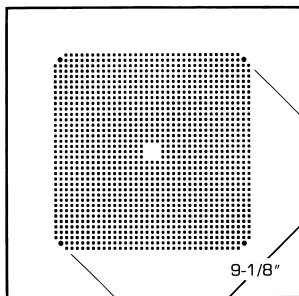
**Model SS8W & SS8WX**

for Mounting Ring – **Model SSM8W & SSM8WX**

- Flush mount, cost effective 8" speaker baffle.
- Easy-on studs for mounting speaker in seconds.
- Simple design based on the square is inconspicuous in grid ceilings; even the speaker appears to be square.
- Ceiling white, non-glare texture blends with ceiling material.
- Paintable and non-corroding.
- Model SS8W and SSM8W made of UV stabilized, high impact polystyrene; Model SS8WX and SSM8WX made of Fourjay's Flamex; UL rated 94V-0 flame retardant ABS (see Form 410).
- Injection molded in Fourjay's plant for quality assurance.
- Uses 9-1/8" diameter circle mounting pattern for fast, easy, labor-saving installation with Fourjay mounting rings and bridges.
- Automatically aligned with ceiling grid when mounted with T-bar bridge, easily rotated for alignment when used with mounting ring.



- Matching whitehead screws and push-on nuts furnished; phillips head screws for electric drivers.
- Model SSM8W(X) contains Model SS8W(X) Baffle and Model MR8(X) Mounting Ring in one convenient and economical package.



**Material:**

SS8W/SSM8W – UV Stabilized high impact polystyrene  
SS8WX/SSM8WX – UL rated 94V-0 flame retardant ABS

**Color:**

Ceiling white (paintable)

**Speaker Size:**

8" (7-5/8" dia. mounting centers)

**Fasteners (furnished):**

**Baffle Assembly:** Four #8-32 x 1-1/2" phillips truss-whitehead sheet metal screws

**Speaker Mtg.:** Four push-on spring nuts

**Standard Package:** 20 units

**Mounting Devices:** 9-1/8" dia. circle mounting pattern:  
Models MR8(X), LAC8, TB8(X) & PB8

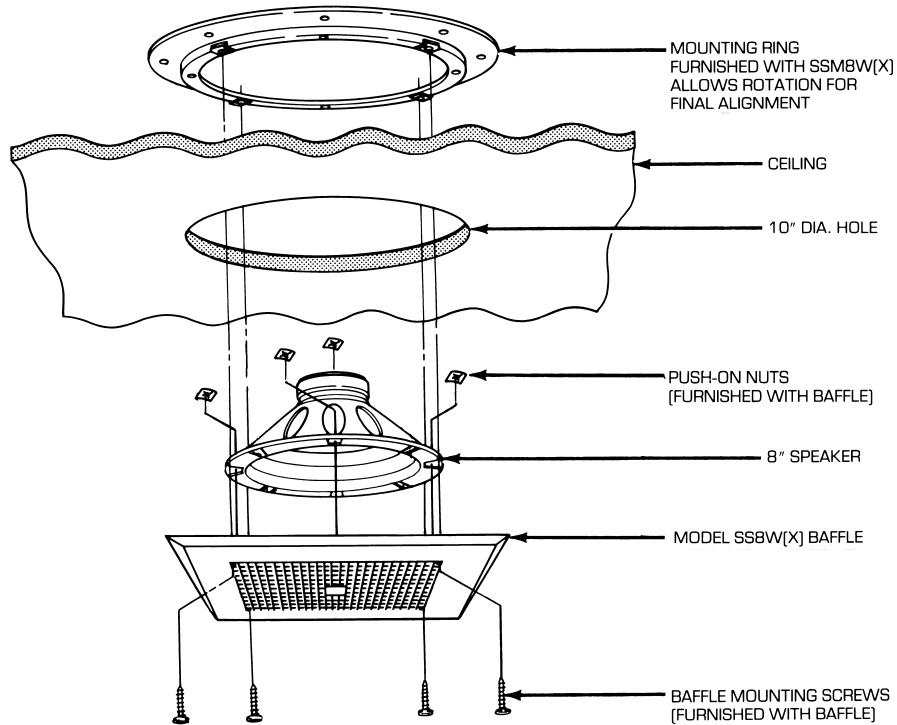


**FOURJAY** SINCE 1956  
**INDUSTRIES, INC.**

3400 STOP EIGHT ROAD • P.O. BOX 13617 • DAYTON, OH 45413-0617  
TELEPHONE (937) 890-6444 • FAX (800) 4J HORNS (454-6767)  
WEBSITE: <http://www.fourjay.com> • EMAIL: [4j@fourjay.com](mailto:4j@fourjay.com)

*Fourjay Quality—American Made*

ASSEMBLY OF MODEL SSM8W(X)



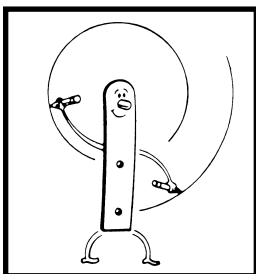
**Easy-On**

Just place the speaker on the mounting studs, push on the nuts. You can assemble baffle in seconds without tools right at the installation site.

**ARCHITECT & ENGINEER SPECIFICATIONS**

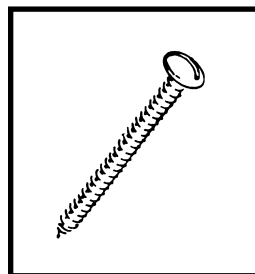
Baffle for 8" speaker shall be Fourjay Model SS8W, (SS8WX) with 10-3/4" square design. It shall have four mounting holes on 9-1/8" diameter circle and four studs on 7-5/8" diameter circle to accept most 8" speakers. The baffle shall be constructed of ceiling white, UV stabilized, high impact polystyrene thermo-plastic (ceiling white, UL rated 94V-0 flame retardant, ABS thermoplastic) which is paintable. Furnished with four push-on nuts to securely fasten speaker to baffle, and four #8 x 1-1/2" truss-whitehead sheet metal screws to fasten baffle to mounting device.

**ACCESSORIES**



**MR. SCRIBER**

Mounting hole marker supplied with each shipment.



**KIT NO. K25**

Extra long 2-1/2" white-headed screws are available for use with extra thick, low density tile. Special white truss heads match Fourjay white baffles. Kit contains 100 screws.



**FOURJAY** SINCE 1956  
INDUSTRIES, INC.

3400 STOP EIGHT ROAD • P.O. BOX 13617 • DAYTON, OH 45413-0617  
TELEPHONE (937) 890-6444 • FAX (800) 4J HORNS (454-6767)  
WEBSITE: <http://www.fourjay.com> • EMAIL: [4j@fourjay.com](mailto:4j@fourjay.com)

*Fourjay Quality—American Made*