



The Plenum Connection

Recessed Loudspeaker Installation System
for Ceiling Cavity Air Handling Construction

Enclosure (U.L. Listed)
with Tee Bar Bridge
with Drywall Bridge
and optional Seal Ring

Model PE8
Model PB8
Model PW8
Model PR8

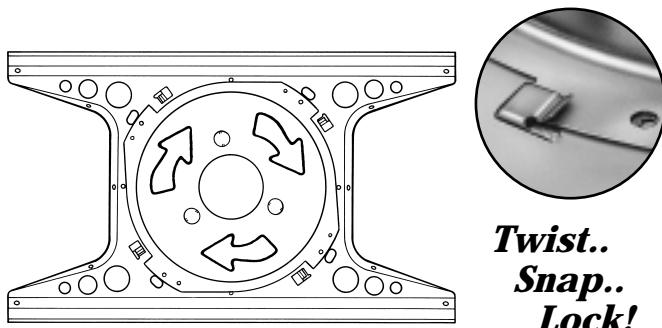
Installation Note 1444

Applications

Versatile "Plenum Connection" Systems safely support and enclose 8 inch and 6-1/2 inch Speaker/Baffle assemblies that may be listed for Fire and Emergency Voice/Alarm or General Purpose use.

Model PE8 - Enclosure

- Listed by Underwriters Laboratories, Inc. category UEAY and UUMW, for speaker installations where the ceiling cavity may be part of an air handling system. Refer to NFPA 70 (NEC) 1999, part 300-22(c)(2). Complies with NFPA 90A, 1999, Article 2-3. 10.2(a) Exc 3.
- Three knockouts for listed metallic type fittings for 1/2" conduit, 3/8" armored cable and plenum rated cable.
- Twist-snap-lock PE8 Enclosure to Bridge, model PB8 or PW8. Secures without screws.
Note: If a large baffle is used that requires a wide hole pattern (11-1/4" Dia circle) the Enclosure must be assembled to Bridge before attaching the speaker/baffle assembly.



Bridge - Models PB8 and PW8

- Accepts Model PE8 Enclosure using one step twist-snap-lock assembly.
- Supports all loudspeaker/baffles that mount on 9-1/8" (Fourjay Standard) or 11-1/4" Dia circle.
- Supports 6-1/2" speakers that mount in a 7-5/8" Dia hole and secure with swivel lock tabs.
- Extruded holes and U-nuts take #8 sheet metal screws for mounting baffle and optional seal ring.
- Convenient tie points for support wires if needed to comply with safety and seismic security codes.
- Hole scriber supplied with each shipment.

Model PB8 - Tee Bar Bridge

- For suspended ceiling tile speaker installations. Spans 2 ft. dimension of 2'x 2' and 2'x 4' tiles.
- For Tee Bar tiles larger than standard 2 ft. use 3/4" angle stock to support bridge at side rails.

Model PW8 - Drywall Bridge

- For new construction Drywall (Gypsum board) wall or ceiling speaker installation. Provision for screw or nail attachment to studs, joists and drywall ceiling frame grid 16" or 24" centers.

Model PR8 - Seal Ring

- Optional accessory for use with Fourjay standard speaker baffles that mount on 9-1/8" circle; use to secure Enclosure PE8 and Bridge PB8 or PW8 to ceiling panel before installing speaker/baffle assembly.
- Fits 10" round hole in ceiling. Secure to bridge with #8 sheet metal screws (4 furnished).
- May also be inverted to use as plaster ring.



FOURJAY SINCE 1956
INDUSTRIES, INC.

3400 STOP EIGHT ROAD • P.O. BOX 13617 • DAYTON, OH 45413-0617
TELEPHONE (937) 890-6444 • FAX (800) 4J HORNS (454-6767)
WEBSITE: <http://www.fourjay.com> • EMAIL: 4j@fourjay.com

Fourjay Quality—American Made

Installation Note 1444
Revision -00
Revised 09/2000

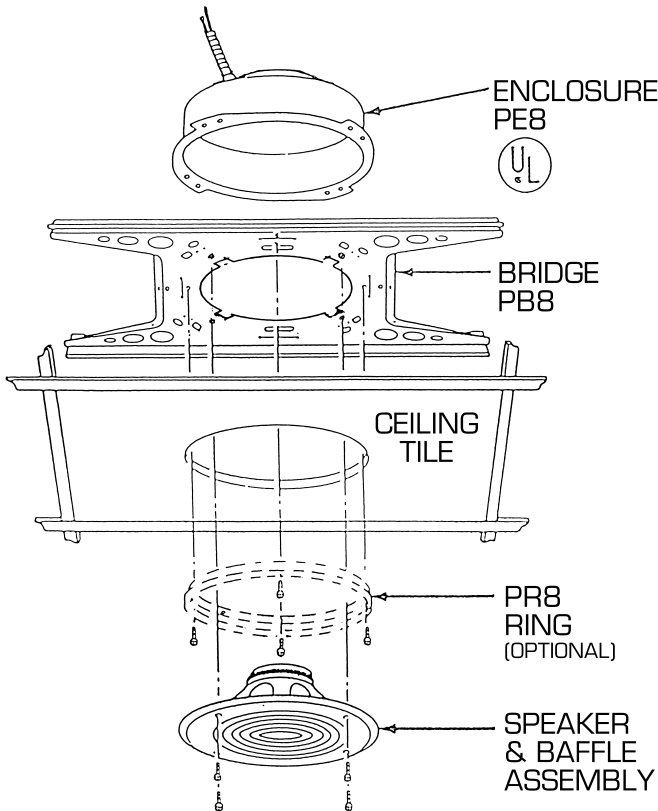
Assembly Guidelines

- A LISTED assembly requires that the enclosed speaker is not exposed to the air handling space. PE8 Enclosure and Bridge assembly must be snug to the ceiling panel. Secure in place by optional Seal Ring PR8 or speaker baffle or both. Wiring, fittings and general assembly must comply with local safety codes.
- Prepare PE8 Enclosure, remove selected KO, install listed fitting for type of wiring to be used.
- Ceiling panel hole size depends on Bridge model and type of speaker/baffle that will be installed. For round hole use scribe provided with Bridge. Locate speaker hole at center of bridge span using the bridge as a guide.
 - ◆ Bridge model PB8 for suspended ceiling tile.
 - ◆ Bridge model PW8 for new Drywall ceilings.

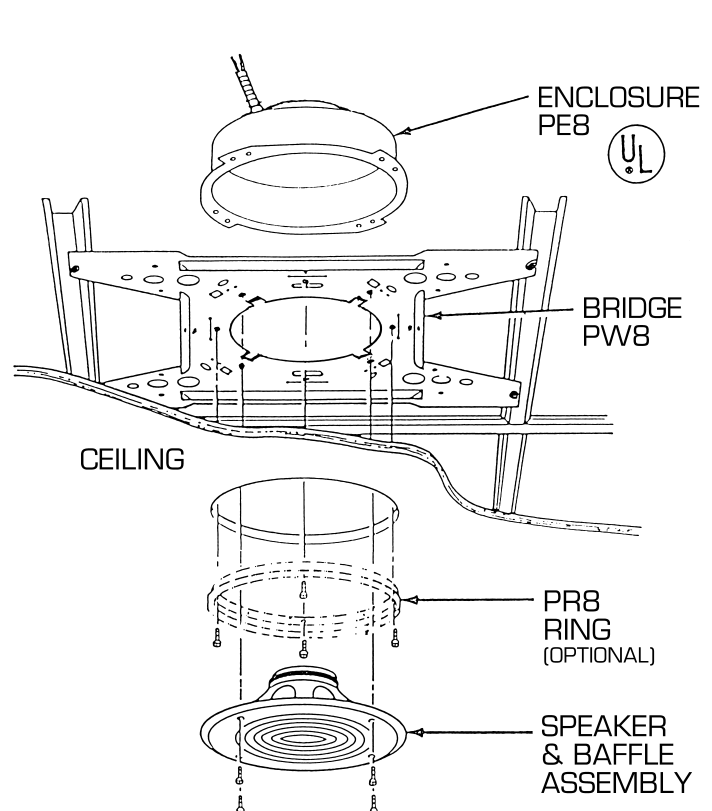
Prepare ceiling panel:

- For Fourjay standard baffles that mount on 9-1/8" Dia circle cut a 10" round hole to accept baffle/speaker assembly or PR8 seal ring.
- To install 6-1/2" speakers that are secured by swivel-lock tabs, cut a round hole 7-5/8" in center of 2 foot bridge span. Follow speaker installation guidelines. Position speaker to assure swivel-lock tabs bear on bridge when the speaker is secured.
- For larger baffles that mount on an 11-1/4" Dia circle, cut an 8-1/4" square hole. Position cutout symmetrical with tile or ceiling panel to align baffle screws with extruded holes in bridge. Assemble PE8 Enclosure to Bridge before installation.

Tee Bar Ceiling Assembly



Drywall Ceiling Assembly



FOURJAY SINCE 1956
INDUSTRIES, INC.

3400 STOP EIGHT ROAD • P.O. BOX 13617 • DAYTON, OH 45413-0617
TELEPHONE (937) 890-6444 • FAX (800) 4J HORNS (454-6767)
WEBSITE: <http://www.fourjay.com> • EMAIL: 4j@fourjay.com

Fourjay Quality—American Made