



"The Stealth Ceiling Baffle"

for 8" Speakers

Screw Speaker Mount – **Model RF8W**

Stud Speaker Mount – **Model RE8W**

MODELS RF8W & RE8W

- "The Stealth Ceiling Baffle" was designed to escape observation.
- Inconspicuous compact 11" round flush mount baffle.
- A specially textured non-glare white powder coat finish, blends with ceiling materials.
- Accommodates thick-gasketed foreground music speakers and standard background music speakers.
- Fast, easy labor-saving installation with Fourjay mounting rings and bridges using 9-1/8" diameter circle mounting pattern.
- Made of corrosion resistant 22 gauge electro-galvanized steel.
- Construction and design comply with UL1480 ceiling baffle requirements.



◀ MODEL RF8W

- Four holes on 7-5/8" diameter circle to mount speaker.
- Matching whitehead screws and nuts furnished; phillips head screws for electric drivers.
- Accepts Model D8W sound diffuser to eliminate "hot spots". (See Form 447).

MODEL RE8W ▶

- Quick speaker-mount baffle.
- Secure speaker in seconds to threaded studs with furnished push-on nuts.
- Nut driver for speaker mounting is furnished with each package of baffles.
- Matching whitehead screws and push-on nuts furnished; phillips head screws for electric drivers.



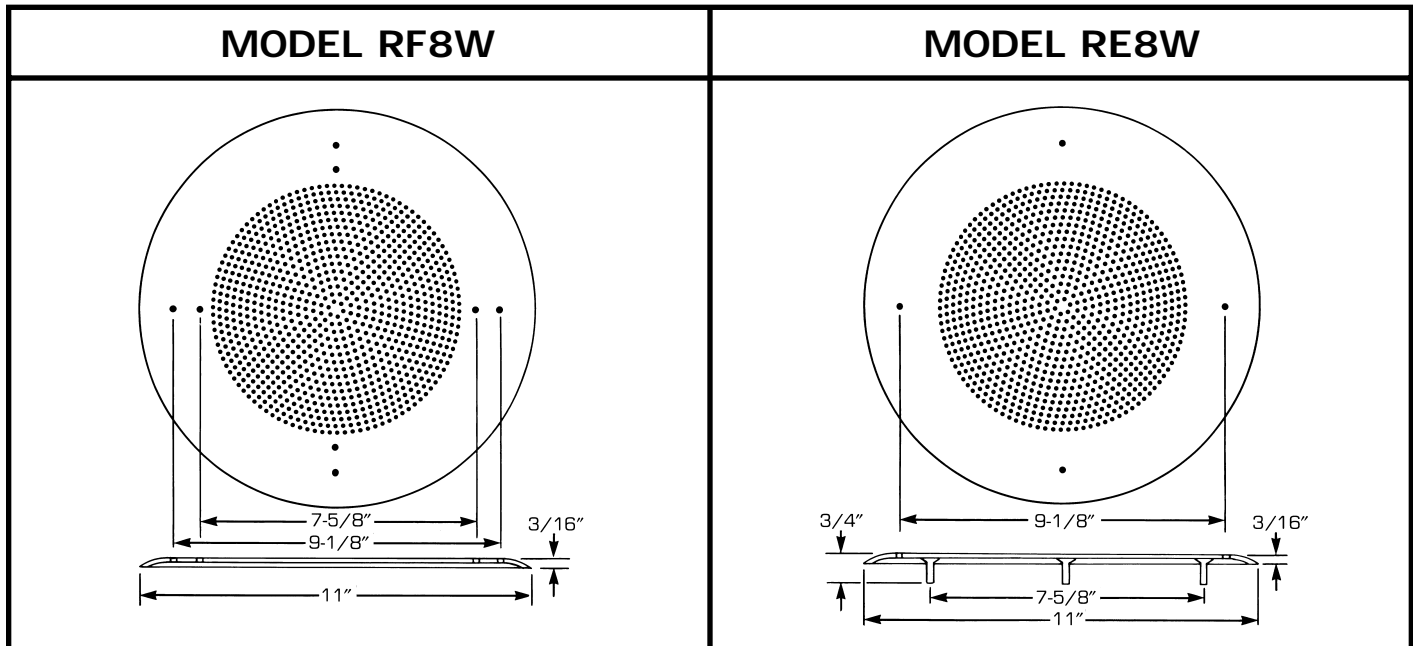
FOURJAY SINCE 1956
INDUSTRIES, INC.

3400 STOP EIGHT ROAD • P.O. BOX 13617 • DAYTON, OH 45413-0617
TELEPHONE (937) 890-6444 • FAX (800) 4J HORNS (454-6767)
WEBSITE: <http://www.fourjay.com> • EMAIL: 4j@fourjay.com

Fourjay Quality—American Made

PRODUCT SPECIFICATIONS

	Model RF8W	Model RE8W
Material	Powder coated, corrosion resistant electro-galvanized 22 ga. (0.030") steel	
Color	Non-glare textured ceiling white	
Speaker Size	8" (7-5/8" diameter mounting centers)	
Baffle Mounting Fasteners	Four #8 x 1-1/2" phillips truss-whitehead sheet metal screws	
Speaker Mounting Fasteners	Four #8-32 x 1" phillips truss-whitehead machine screws and four #8 nuts	Four push-on spring nuts (nut driver furnished)
Standard Package	20 units	
Mounting Devices	9-1/8" diameter circle mounting pattern; Models MR8(X), LAC8, TB8(X) and PB8.	



ARCHITECT'S & ENGINEER'S SPECIFICATIONS

Round baffle for 8" speaker shall be Fourjay Model RF8W with outside diameter of 11". It shall have four mounting holes on 9-1/8" diameter circle and four speaker mounting holes on 7-5/8" diameter circle to accept most 8" speakers. The baffle shall be constructed of 22 ga. corrosion resistant steel with non-glare textured ceiling white powder coat finish on face of part. Furnished with four #8-32 x 1" truss-whitehead machine screws and four #8 nuts to securely fasten speaker to baffle; and four #8 x 1-1/2" truss-whitehead sheet metal screws to fasten baffle to ceiling/wall mounting device. Fourjay Model D8W sound diffuser may be mounted to baffle to reduce hot spots.

Round baffle for 8" speaker shall be Fourjay Model RE8W with outside diameter of 11". It shall have four mounting holes on 9-1/8" diameter circle and four studs on 7-5/8" diameter circle to accept most 8" speakers. The baffle shall be constructed of 22 ga. corrosion resistant steel with non-glare textured ceiling white powder coat finish on face of part. Furnished with four push-on nuts to securely fasten speaker to baffle, and four #8 x 1-1/2" truss-whitehead sheet metal screws to fasten baffle to ceiling/wall mounting device.



FOURJAY SINCE 1956
INDUSTRIES, INC.

3400 STOP EIGHT ROAD • P.O. BOX 13617 • DAYTON, OH 45413-0617
TELEPHONE (937) 890-6444 • FAX (800) 4J HORNS (454-6767)
WEBSITE: <http://www.fourjay.com> • EMAIL: 4j@fourjay.com

Fourjay Quality—American Made