



# Deep Recessed Ceiling Baffle

for 4" & 5" Speakers

**Model LF4/5CWX**

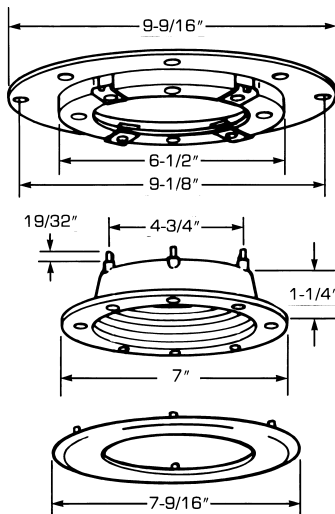
Two-Tone Complements Recessed Lighting

- Flush mount, deep recessed design baffle for 4" and 5" speakers.
- Ceiling white snap-on trim ring hides mounting screws; no visible screws.
- Black recessed grille complements contemporary recessed light fixtures.
- Easy-on studs for mounting speaker in seconds.
- Manufactured of Fourjay's Flamex; UL rated 94V-0 flame retardant ABS thermoplastic, non-corroding. (See Form 410).
- Injection molded in Fourjay's plant for quality assurance.
- Each baffle assembly includes deep recessed baffle, trim ring and mounting ring for fast, easy, labor-saving installation.
- All fasteners required for installing baffle and speaker are furnished; phillips head screws for electric drivers.
- Mr. Scriber mounting hole marker supplied with each standard package.
- Use Model UMB or UMBX bridge for extra support in tee bar acoustical tile ceilings.
- PH8 Series protective enclosures quickly assembled to mounting ring or bridge.



### ARCHITECT'S & ENGINEER'S SPECIFICATIONS

The deep recessed round baffle for 4" or 5" speakers shall be Fourjay Model LF4/5CWX with an outside diameter of 7-9/16". Each assembly will include mounting ring, baffle and trim ring made of UL rated 94V-0 flame retardant ABS thermoplastic. The trim ring will be white and the baffle black similar to many deep recessed light fixtures. The speaker shall be secured to the baffle studs by four furnished push-on nuts, and the baffle securely fastened by four furnished #8 x 1-1/2" sheet metal screws. To finish installation, the trim ring snaps on to baffle hiding the screws, and matching baffle to ceiling material.



**Material:**

Flame retardant ABS, UL rated 94V-0 (see Form 410)

**Color:**

Trim ring - ceiling white  
Baffle - black  
Mounting ring - not visible

**Speaker Size:**

4" or 5" (4-3/4" dia. mounting centers)

**Fasteners (furnished):**

**Baffle Mtg.:**

Four #8 x 1-1/2" phillips truss-head sheet metal screws

**Speaker Mtg.:**

Four push-on spring nuts

**Standard Package:**

20 units

**Tee Bar Bridge:**

Model UMB or UMBX

**Protective Enclosure:**

PH8 Series

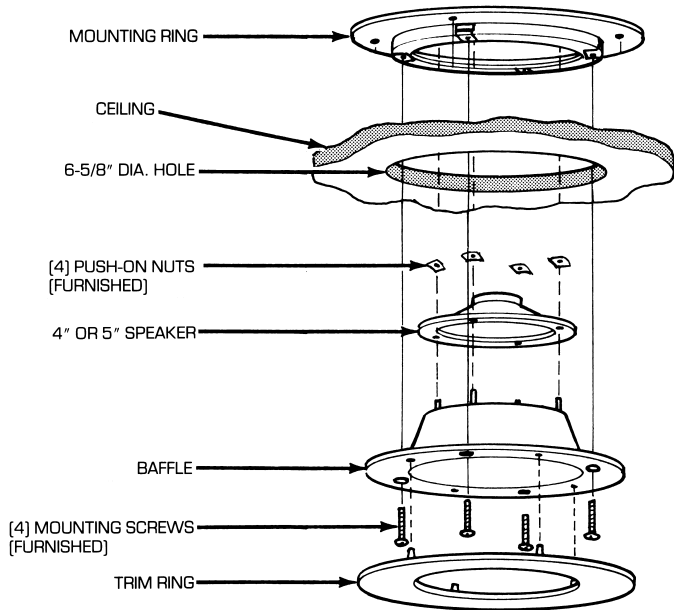


**FOURJAY** SINCE 1956  
**INDUSTRIES, INC.**

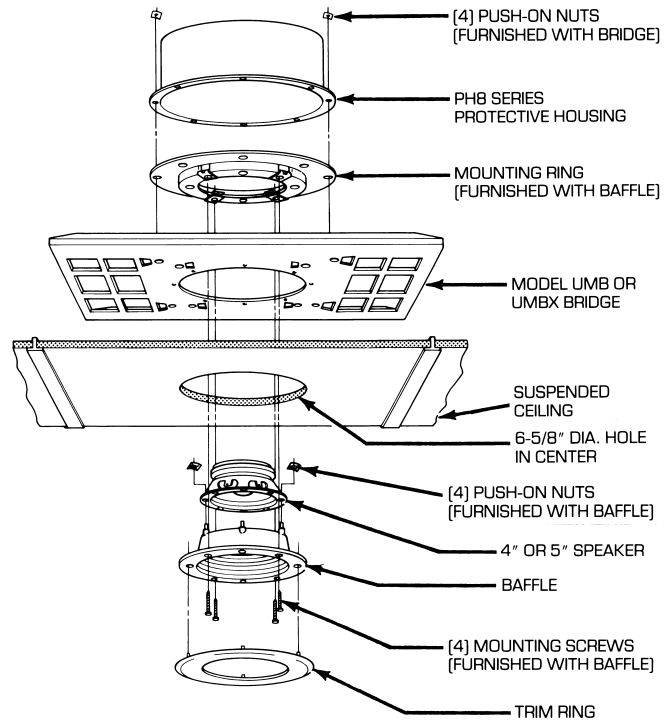
3400 STOP EIGHT ROAD • P.O. BOX 13617 • DAYTON, OH 45413-0617  
TELEPHONE (937) 890-6444 • FAX (800) 4J HORNS (454-6767)  
WEBSITE: <http://www.fourjay.com> • EMAIL: [4j@fourjay.com](mailto:4j@fourjay.com)

*Fourjay Quality—American Made*

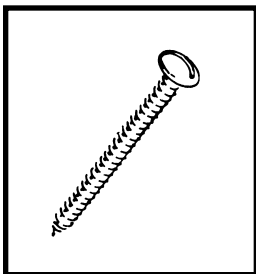
**ASSEMBLY OF MODEL LF4/5CW(X)**



**ASSEMBLY WITH TEE BAR BRIDGE AND PROTECTIVE ENCLOSURE**

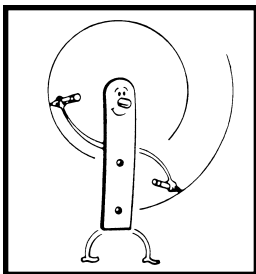


**ACCESSORIES**



**KIT NO. K25**

Extra long 2-1/2" whitehead screws for use with extra thick, low density tile. Special whiteheads match Fourjay white baffles. Kit contains 100 screws.



**MR. SCRIBER**

Mounting hole marker supplied with each shipment of Model LF4/5CW(X) or with Fourjay mounting devices



**Easy-On**

Just place the speaker on the mounting studs, push on the nuts. They need not even be tight. You can assemble baffle in seconds without tools right at the installation site.



**FOURJAY** SINCE 1956  
INDUSTRIES, INC.

3400 STOP EIGHT ROAD • P.O. BOX 13617 • DAYTON, OH 45413-0617  
TELEPHONE (937) 890-6444 • FAX (800) 4J HORNS (454-6767)  
WEBSITE: <http://www.fourjay.com> • EMAIL: [4j@fourjay.com](mailto:4j@fourjay.com)

*Fourjay Quality—American Made*