



Cone Speakers, Audio Transformers, Baffles Factory Assembled Combinations

In Stock – Immediate Shipment



FOURJAY SINCE 1956
INDUSTRIES, INC.

3400 STOP EIGHT ROAD • P.O. BOX 13617 • DAYTON, OH 45413-0617
TELEPHONE (937) 890-6444 • FAX (800) 4J HORNS (454-6767)
WEBSITE: <http://www.fourjay.com> • EMAIL: fourjay@ix.netcom.com

Fourjay Quality—American Made



Cone Speakers, Audio Transformers and Speakers with Transformers

- Quality performance cone speakers for music systems and sound reinforcement.
- Practical selection of high quality single or dual voltage audio transformers.
- Speaker-transformer combinations for music and sound reinforcement in homes, offices, factories, restaurants, meeting halls, recreation centers, etc.
- Factory tested for quality assurance.

Cone Speakers

MODEL NO.	Q58H10	Q88D5	Q845D5	Q88D10	Q88C10
Size & Style (EIA RS-278-B)	5" Round	8" Round	8" Round	8" Round	8" Round
Magnet Weight & Type	10 oz. Ceramic	5 oz. Ceramic	5 oz. Ceramic	10 oz. Ceramic	10 oz. Ceramic
Speaker Type (Moisture Resistant Cones)	High Compliance	Dual Cone	Dual Cone	Dual Cone	Coaxial, Piezo H.F.
Power Rating (Watts) (Per EIA Standard RS-426-A)	10	15	10	25	25
Sensitivity; SPL; 1W, 1M (SPL Ref. 2.0E-04 Microbars)	93 db	96 db	96 db	100 db	97 db
Response (Hz)	50-18K	40-18K	40-18K	30-18K	30-19K
Impedance (Ohms)	8	8	45	8	8
Coil Diameter	1"	3/4"	3/4"	1"	1"
Depth (No Transformer)	2-5/32"	2-23/32"	2-23/32"	2-13/16"	2-13/16"
Weight (Lb.)	1.8	1.4	1.4	2.1	2.1
Transformer Mount	2", 2-3/8"	1-3/4", 2", 2-3/8"	1-3/4", 2", 2-3/8"	1-3/4", 2", 2-3/8"	1-3/4", 2", 2-3/8"



Q58H10



Q88D5



Q88D10



Q88C10

Audio Transformers

MODEL NO.	T270	T427	T570	T127	T1627	T3227	T7527
Power Rating (Watts)	2	4	5	12	16	32	75
Primary Volts	70	25 & 70	70	70	25 & 70	25 & 70	25 & 70
Freq Resp ±1 dB (Hz)	80-20K	80-20K	80-20K	80-20K	80-20K	80-20K	40-18K
Primary Taps (Watts) Identified on wrapper	2,1	4,2,1, 1/2	5,2-1/2,1, 1/2,1/4	12,6,3 1,1/2	16,8, 4,2	32,16,8, 4,2	75,37 18,9
Leads, Color Coded	6"	6"	6"	6"	6"	6"	8"
Mounting Centers	2"	2"	2"	2"	2"	2-13/16"	2x2-1/2"
Weight (Lb.)	0.4	0.4	0.4	0.5	0.6	1	2.3

Insertion loss at 1 KHz; less than 1 dB. Secondary load impedance 8 ohms.

Speaker & Transformer Assemblies

MODEL NO.	8T427	8DT427	8T570	8DT570	8DT127	8CT127
Speaker	Q88D5 5 oz. Dual	Q88D10 10 oz. Dual	Q88D5 5 oz. Dual	Q88D10 10 oz. Dual	Q88D10 10 oz. Dual	Q88C10 10 oz. Coax
Transformer	T427 4W 25/70V	T427 4W 25/70V	T570 5W 70V	T570 5W 70V	T127 12W 70V	T127 12W 70V
Weight (Lb.)	1.8	2.5	1.8	2.5	2.6	2.6

Other non-catalog item speaker & transformer assemblies are available by special order. See component specifications above. Call for details.

8T270, 8DT270, 8CT270, 8CT427, 8CT570, 8DT1627, 8CT1627.



8T427



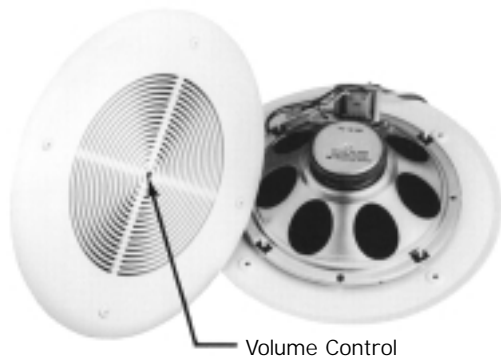
8DT427



8CT127

Factory Assembled 8" Speaker, Transformer, Volume Control and Baffle Combinations

- Factory assembled, then tested for assurance of Fourjay's high quality standards.
- Whitehead mounting screws furnished, phillips head for electric drivers.
- 9-1/8" diameter circle mounting pattern for fast, easy, labor saving installation with Fourjay mounting rings, bridges and enclosures, including UL listed "Plenum Connection." See back page.



CR8 Series

- Contemporary designed round flush-mount speaker baffle.
- Compact 11" diameter is much smaller and less conspicuous than most 8" speaker baffles.
- Ceiling White, non-glare texture with contoured edge matches baffle to mounting surface.
- Molded of UV stabilized, high impact polystyrene thermoplastic.
- Volume control models have a recessed screwdriver adjustable 50 ohm wire wound potentiometer. Low profile push-in knob provided in kit.

CR8 BAFFLE MODELS	SPEAKER - TRANSFORMER MODELS and SPECIFICATIONS				WITH VOLUME CONTROL
ST4-CR8	Q88D5	5 oz. dual cone	T427	4 watts; 25 & 70 V	ST4P-CR8
SDT4-CR8	Q88D10	10 oz. dual cone	T427	4 watts, 25 & 70 V	SDT4P-CR8
ST5-CR8	Q88D5	5 oz. dual cone	T570	5 watts, 70 V	ST5P-CR8
SDT12-CR8	Q88D10	10 oz. dual cone	T127	12 watts, 70 V	SDT12P-CR8
SCT12-CR8	Q88C10	10 oz. coaxial	T127	12 watts, 70 V	SCT12P-CR8

Other **CR8 Series** Baffle, Speaker, Transformer Assembly combinations are available as special order models: **ST2-CR8, SDT2-CR8, SCT2-CR8, SCT4-CR8, SDT5-CR8, SCT5-CR8, SDT16-CR8, SCT16-CR8**. Also available as models with 50 ohm volume control and as models with Fourjay **CR8WX Flamex** baffle. Call for details.



RE8 Series

- The compact 11" diameter and computer generated hole pattern allows for a much less conspicuous installation.
- A specially textured non-glare ceiling white powder coat finish, blends with ceiling materials.
- No visible speaker mounting screws.
- Fabricated of corrosion resistant 22-gauge electro-galvanized steel.
- Construction and design comply with UL1480 ceiling baffle requirements.
- Volume control models have a recessed screwdriver adjustable 50 ohm wire wound potentiometer. Low profile push-in knob provided in kit.

RE8 BAFFLE MODELS	SPEAKER - TRANSFORMER MODELS and SPECIFICATIONS				WITH VOLUME CONTROL
ST4-RE8	Q88D5	5 oz. dual cone	T427	4 watts; 25 & 70 V	ST4P-RE8
SDT4-RE8	Q88D10	10 oz. dual cone	T427	4 watts, 25 & 70 V	SDT4P-RE8
ST5-RE8	Q88D5	5 oz. dual cone	T570	5 watts, 70 V	ST5P-RE8
SDT12-RE8	Q88D10	10 oz. dual cone	T127	12 watts, 70 V	SDT12P-RE8
SCT12-RE8	Q88C10	10 oz. coaxial	T127	12 watts, 70 V	SCT12P-RE8

Other **RE8 Series** baffle, speaker, transformer assembly combinations are available as special order models: **ST2-RE8, SDT2-RE8, SCT2-RE8, SCT4-RE8, SDT5-RE8, SCT5-RE8, SDT16-RE8, SCT16-RE8**. Also available as models with 50 ohm volume control. See component specifications. Call for details.



FOURJAY SINCE 1956
INDUSTRIES, INC.

3400 STOP EIGHT ROAD • P.O. BOX 13617 • DAYTON, OH 45413-0617
TELEPHONE (937) 890-6444 • FAX (800) 4J HORNS (454-6767)
WEBSITE: <http://www.fourjay.com> • EMAIL: fourjay@ix.netcom.com

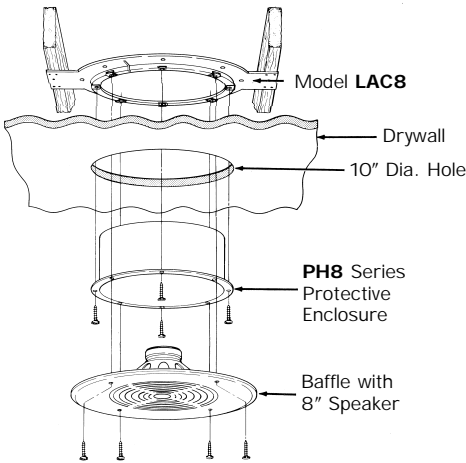
In Stock — Immediate Shipment

Installation Concepts Using Fourjay Mounting Devices

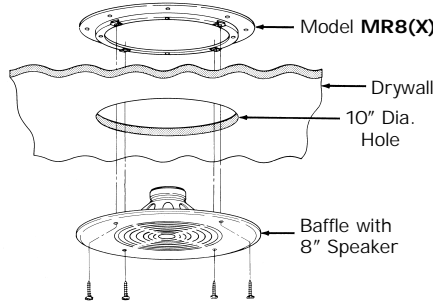
IN STOCK

IMMEDIATE SHIPMENT

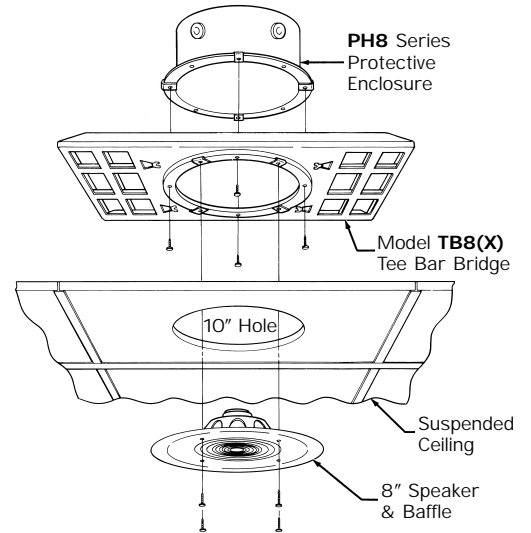
New Construction Ceiling



Retrofit or New Ceiling

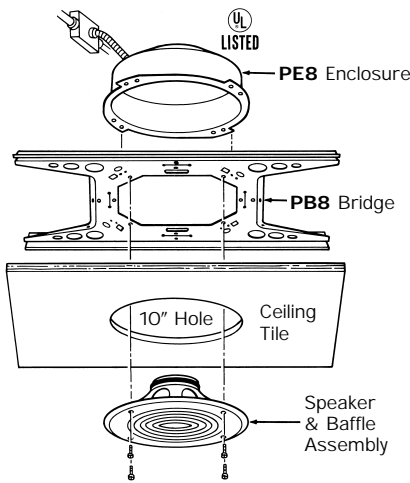


Tee Bar Suspended Ceiling

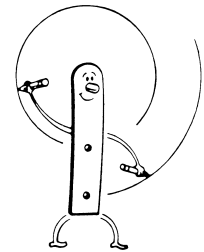
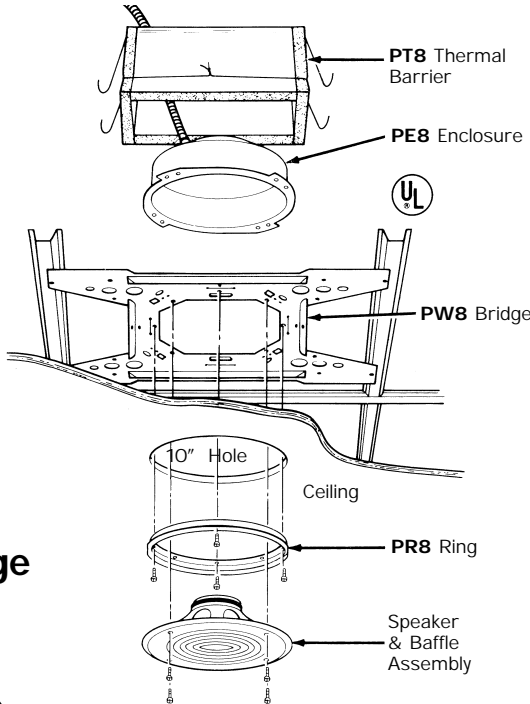


The Plenum Connection Systems

Tee Bar Ceilings



Drywall Ceilings



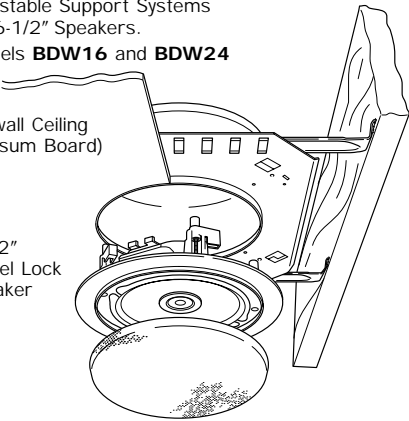
MR. SCRIBER
Mounting hole marker

New Construction Bridge

Adjustable Support Systems for 6-1/2" Speakers.
Models **BDW16** and **BDW24**

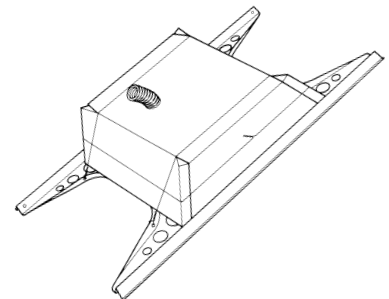
Drywall Ceiling (Gypsum Board)

6-1/2" Swivel Lock Speaker



Model PT8 Thermal Barrier

Heat enclosure for Plenum Connection used in fire barrier ceiling construction.



The Fire Barrier Connection



FOURJAY SINCE 1956
INDUSTRIES, INC.

3400 STOP EIGHT ROAD • P.O. BOX 13617 • DAYTON, OH 45413-0617
TELEPHONE (937) 890-6444 • FAX (800) 4J HORNS (454-6767)
WEBSITE: <http://www.fourjay.com> • EMAIL: fourjay@ix.netcom.com

Fourjay Quality—American Made