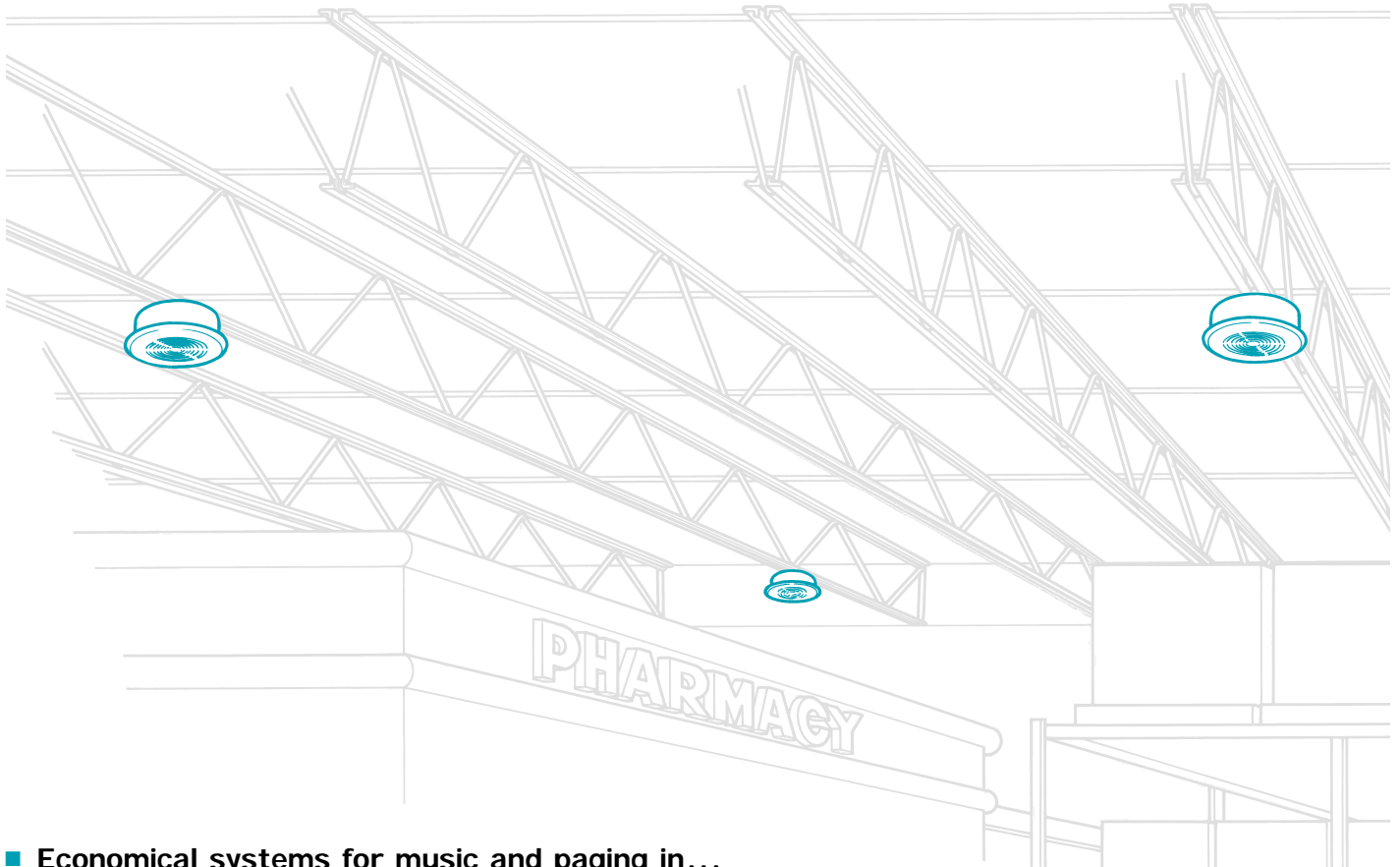




Open Ceiling Speaker Systems

Convenient 8" Speaker Baffle Packages

**Round EP8 & EM8 Series
Square FB8 & FD8 Series**



- Economical systems for music and paging in...
 - ... High visibility retail open ceiling decor.
 - ... Low to medium ambient noise industrial or warehouse applications.
- Individually packaged for convenience in ordering, inventory management, transportation and installation.
- Choice of round or square style and two standard speaker/transformer models.
- Factory assembled 8" speaker/transformer and baffle.
- Pre-drilled mounting hole for fast installation to structure beams.
- White phillips head screws furnished for baffle/enclosure assembly.
- Choice of standard mounting accessory kits.



FOURJAY SINCE 1956
INDUSTRIES, INC.

3400 STOP EIGHT ROAD • P.O. BOX 13617 • DAYTON, OH 45413-0617
TELEPHONE (937) 890-6444 • FAX (800) 4J HORNS (454-6767)
WEBSITE: <http://www.fourjay.com> • EMAIL: 4j@fourjay.com

In Stock - Immediate Shipment

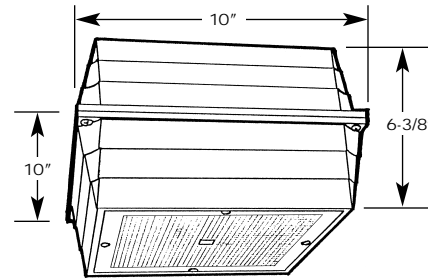
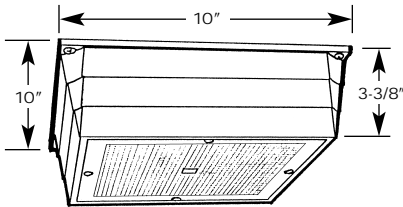


FB8 Series

- Single square baffle/enclosure with plate.
- Baffle/enclosure made of UV stabilized, high impact grade polystyrene, injection molded by Fourjay for quality assurance.
- Ceiling white color, paintable surface.
- Compact and lightweight, only 10" square.
- Mounting plate pre-drilled for cable and installation fasteners.
- Speaker/transformer assembled to baffle and tested at the Fourjay factory.
- Special fasteners speed field assembly.

FD8 Series

- Double enclosure volume for full pleasing sound with music and paging.
- Baffle/enclosure made of UV stabilized, high impact grade polystyrene, injection molded by Fourjay for quality assurance.
- Ceiling white color, paintable surface.
- Enclosure top pre-drilled for cable and installation fasteners.
- Speaker/transformer assembled to baffle and tested at the Fourjay factory.
- Special fasteners speed field assembly.



Fast installation: Secure **FB8** or **FD8** to ceiling rib with screws or to a beam with a mounting kit option listed below.

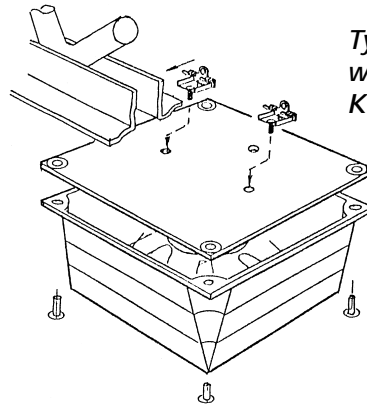
KBD Beam Clip Kit. Contains (2) T-nuts and (2) beam clips. (1) kit required.

KBC123 Beam Clamp Kit. (2) kits required.

KBJ123 Bar Joist Kit. (2) kits required.

KTG123 Toggle Bolt Kit. (2) kits required.

MODEL NO.	ST4-FB8 ST4-FD8	SDT4-FB8 SDT4-FD8
SPEAKER Magnet, ceramic Cone Sensit. SPL, (1W/1M) Response (Hz)	8" Round 5 oz. Dual 96dB 40-18K	8" Round 10 oz. Dual 100 dB 40-19K
TRANSFORMER Power taps, watts Freq. response (Hz)	25/70 volt 4, 2, 1, 0.5 80-20K	25/70 volt 4, 2, 1, 0.5 80-20K



Typical installation with KBD Beam Clip Kit. FB8 model shown.



FOURJAY SINCE 1956
INDUSTRIES, INC.

3400 STOP EIGHT ROAD • P.O. BOX 13617 • DAYTON, OH 45413-0617
TELEPHONE (937) 890-6444 • FAX (800) 4J HORNS (454-6767)
WEBSITE: <http://www.fourjay.com> • EMAIL: 4j@fourjay.com

Fourjay Quality—American Made

White Plastic



All Steel

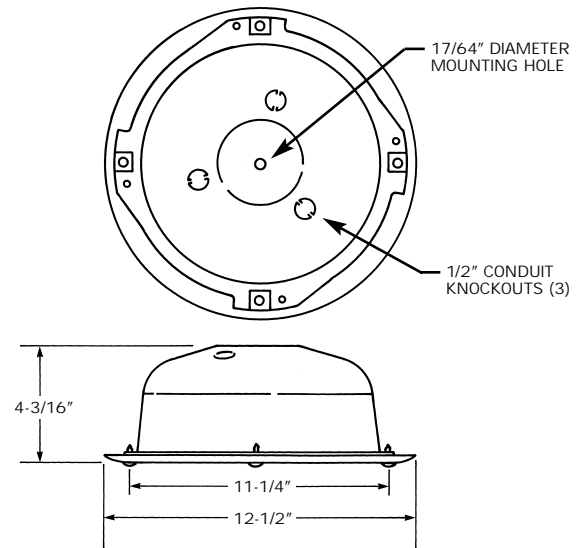
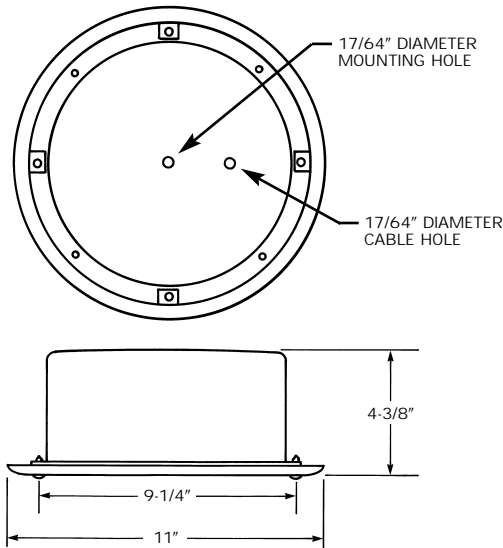


EP8 Series

- Pleasing, contemporary style all white high strength plastic baffle/enclosure.
- Injection molded by Fourjay for quality assurance.
- Compact and lightweight, only 11" diameter.
- Ceiling white, non-glare texture baffle.
- Enclosure high impact ABS plastic.
- Pre-drilled mounting and cable holes.
- Speaker/transformer assembled to baffle.

EM8 Series

- All steel baffle and enclosure.
- Attractive symmetrical grille pattern.
- Baffle made of corrosion resistant 22 gauge steel with special non-glare texture white powder coat finish.
- Enclosure deep-draw, one piece, 20 gauge electro-galvanized steel, paintable.
- Knockouts accept armored cable fittings.
- Pre-drilled mounting hole.
- Speaker/transformer assembled to baffle.



MODEL NO.	ST4-EP8 ST4-EM8	SDT4-EP8 SDT4-EM8
SPEAKER Magnet, ceramic Cone Sensit. SPL, (1W1/M) Response (Hz)	8" Round 5 oz. Dual 96dB 40-18K	8" Round 10 oz. Dual 100 dB 40-19K
TRANSFORMER Power taps, watts Freq. response (Hz)	25/70 volt 4, 2, 1, 0.5 80-20K	25/70 volt 4, 2, 1, 0.5 80-20K

ACCESSORIES AND MOUNTING METHODS		
 Beam Clip Mount KBC8 Kit	 Bar Joist Mount KBJ123 Kit	 Toggle Bolt Mount KTG123 Kit

In Stock
...Immediate Shipment



OPEN CEILING SPEAKER SYSTEMS

IN STOCK

IMMEDIATE SHIPMENT

PRO-formance Loudspeaker System



Model 575-TW – 25 & 70 Volt

- Compact high PRO-formance speaker system for concentric projection of voice and foreground music.
- Excellent power linearity for digitally processed material.
- Uniform horizontal and vertical dispersion.
- Lightweight rugged fiberglass/resin cabinet with paintable mar resistant white finish.
- Suspend or surface mount using specially designed kits.
- 75 watts RMS, 150 watts peak power handling.
- Integral low-loss transformer and power tap selector switch for 25/70 V line and 8 ohm input.
- Also available 8 ohm only Model 575-8 by special order.

Delivery you can count on...performance you can hear!

Multi-Baffle System

IC8 Series – Suspended Baffles

HF8 Series – Rigid Mount Baffles

- **PERFORMANCE.** Large enclosure and unique ported design assures full response capability of a commercial sound 8" speaker.
- **TWO MOUNTING DESIGNS.** IC8 Series to suspend baffle to desired height. HF8 Series where rigid mounting is preferred.
- **THREE ATTRACTIVE COLOR COMBINATIONS.** All white units designated by model numbers ending in "W." Charcoal housing with gray grille/bracket designated "CG" and desert sand housings with mocha grille/bracket designated "MS."
- **LIGHTWEIGHT DURABLE CONSTRUCTION.** One-piece high density polyethylene molded housing will withstand -40°F (-40°C) and full summer sun. High-impact molded grille and electrostatically coated steel bracket.
- **DIMENSIONS.** 14" diameter x 10-1/4" deep. Maximum height with bracket is 15-1/2".



IC8 SERIES



HF8 SERIES

DRIVER DESCRIPTION	MODEL NUMBER					
	SUSPENDED (IC8 SERIES)			RIGID MOUNT (HF8 SERIES)		
	CHARCOAL HSG GRAY GRILLE	DESERT SAND HSG MOCHA GRILLE	WHITE HSG WHITE GRILLE	CHARCOAL HSG GRAY GRILLE GRAY BRACKET	DESERT SAND HSG MOCHA GRILLE MOCHA BRACKET	WHITE HSG WHITE GRILLE WHITE BRACKET
Baffle – 8" Cone driver – NOT INCLUDED	IC8CG	IC8MS	IC8W	HF8CG	HF8MS	HF8W
5 oz. driver with 25/70 volt, 4 watt transformer	ST4-IC8CG*	ST4-IC8MS*	ST4-IC8W*	ST4-HF8CG	ST4-HF8MS	ST4-HF8W
10 oz. driver with 25/70 volt, 4 watt transformer	SDT4-IC8CG*	SDT4-IC8MS*	SDT4-IC8W*	SDT4-HF8CG	SDT4-HF8MS	SDT4-HF8W

*Stem Kit KHS15 is recommended to keep Suspended Baffle level.