

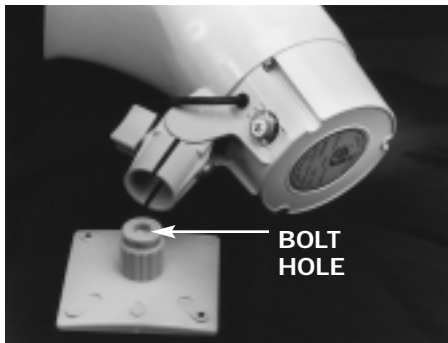


32 Watt Re-Entrant Horn Speaker

for Paging & Talk-back

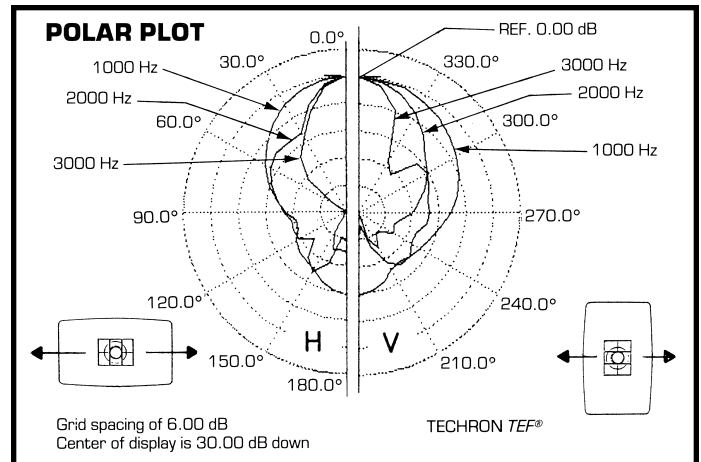
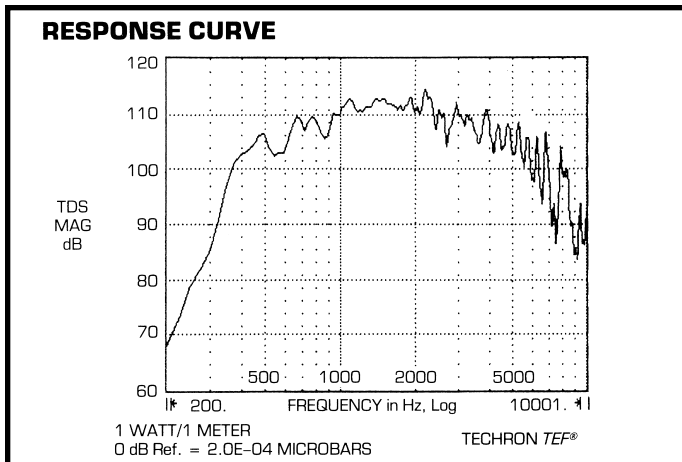
132 Series

- Designed for noise penetration and clear speech intelligibility.
- Conservatively rated at 32 watts continuous duty.
- Excellent sensitivity as a microphone in talk-back systems.
- Diffuser suppresses on-axis hot spot and improves dispersion.
- Powerful compression driver, steel parts plated to meet 96-hour salt spray test.
- Weather and corrosion resistant construction using stainless steel fasteners and engineering grade UV resistant thermoplastics.
- Mounting system designed for easy assembly and adjustment.
- Polycarbonate base features multiple mounting options.
- Manufactured in Fourjay's factory under strict quality supervision.
- Accessory kits available for mounting versatility.
- Long 2-conductor cable for fast "hard wiring" and good weatherability.
- Selector switch for power taps on transformer models.
- Bug screen kit KB400 keeps out nests and reduces talk-back noise.
- Model 132/70-TD for 70 volt line avoids accidental 25 volt line overload.



Quick, easy, labor-saving installation.

MODEL NO.	RATED INPUT	INPUT TAPS		WT. (lbs.)
		WATTS	OHMS (±10%)	
132-8D	8 ohms	32	8	3-1/4
132-45D	45 ohms	32	45	3-1/4
132/70-TD	70.7 V line	32,16,8,4,2	156, 312, 625, 1250, 2500	4-1/2
132-TD	25 or	32,16,8,4,2	19.5, 39, 78, 156, 312	4-1/2
	70.7 V line	32,16,8,4,2	156, 312, 625, 1250, 2500	



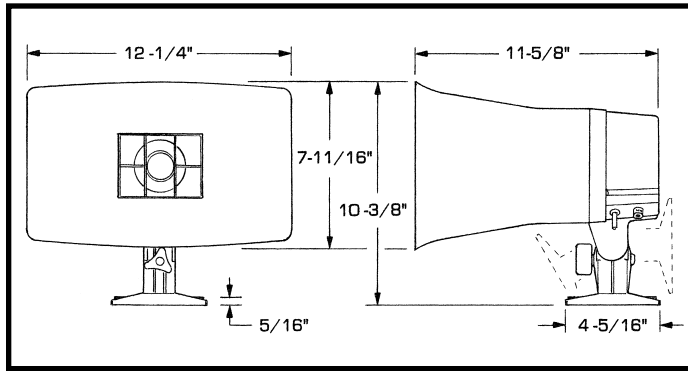
Fourjay Quality—American Made



3400 STOP EIGHT ROAD • P.O. BOX 13617 • DAYTON, OH 45413-0617
 TELEPHONE (937) 890-6444 • FAX (800) 4J HORNS (454-6767)
 WEBSITE: <http://www.fourjay.com> • EMAIL: 4j@fourjay.com

IN STOCK

IMMEDIATE SHIPMENT



TECHNICAL SPECIFICATIONS

Power Handling: 32 watts continuous duty.

Frequency Range: 600-4500 Hz (± 3 dB)
(On Axis) 370-6800 Hz (± 6 dB)

Sound Pressure Level

(Model 132-8D at 1 meter):

- 1 watt, 500-5000 Hz, averaged; 110 dB
- 1 watt, 1 octave at 2 kHz, averaged; 111.6 dB
- 32 watts, 1 octave at 2 kHz, averaged; 126 dB

Talk-Back Sensitivity as Microphone:

(Model 132-45D). Reference 94 dB (1.0 Pa) SPL, 700-2000 Hz; 53.4 \pm 2 mv or -12 dBm (0 dBm = 1 mw).

PHYSICAL SPECIFICATIONS

Materials: Impact and UV resistant ABS horn and cover. High stability, UV resistant polycarbonate for driver and mounting components. Stainless steel fasteners.

Driver: Compression type, integral with horn. Replaceable phenolic diaphragm driven by a high heat rated voice coil. Magnet structure steel parts are plated per Mil. Spec. QQ-Z-325, type I, class 2, passes 96-hour salt spray test.

Mounting Provisions: Fully adjustable, 2 axis spline lock mounting assembly firmly supports speaker near its center of gravity. Removable square, polycarbonate base has provisions for fastening to standard utility boxes; 4" square, octagon or duplex. Supplied ready to install, field removable K.O. slugs seal other features. Center hole accepts 1/4" screw for securing with toggle bolt or to beam clamp.

Color: Tan with brown diffuser/inner horn.

Wiring: 18 gauge, 2 conductor, black jacketed, 30" long cable.

ARCHITECT'S & ENGINEER'S SPECIFICATIONS

The loudspeaker shall be a re-entrant horn/compression driver type of integrated construction, Fourjay model (132-8D, 132-45D, 132-TD or 132/70-TD). It shall be conservatively rated and shall be driven by a phenolic diaphragm with a high temperature rated voice coil. It shall be capable of operation from -30°F to +160°F temperature extremes.

Frequency range shall be 370-6800 Hz (± 6 dB). Sound pressure level (1W/1M) shall be 110 dB. Power handling capability shall be 32 watts continuous duty.

All materials shall resist damage from extreme weather exposure. Horn and cover shall be made of impact & UV resistant ABS, rated to retain mechanical properties from -30° to +160°F. Mounting system and other critical parts shall be high stability, UV resistant polycarbonate.

MOUNTING METHODS AND ACCESSORIES

KBC123 Kit Beam Clamp Mount	KBJ123 Kit Bar Joist Mount	KTG123 Kit Toggle Bolt Mount	KPM123 Kit Pole Mount
Fastening to Standard Utility Boxes 4" Square, Octagon or Duplex (Boxes not included)		Stud Driver or Concrete Nails	KB400 Bug Screen