

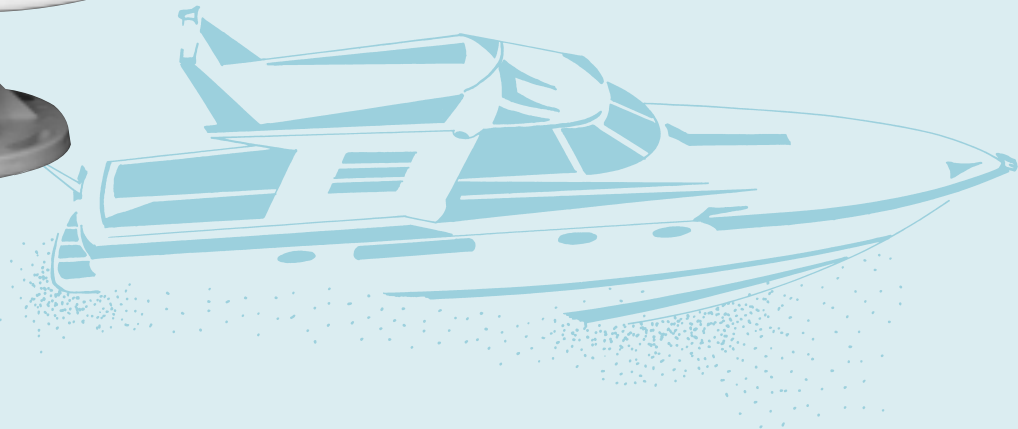
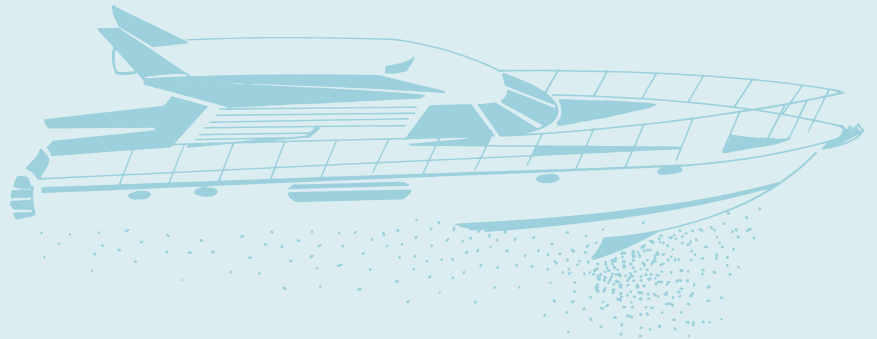


# High Performance Marine Speakers for Humid and Corrosive Environments

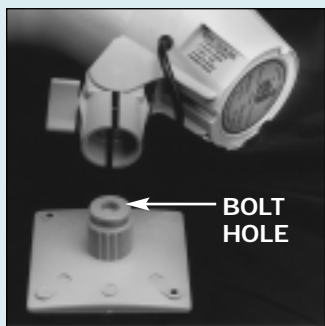
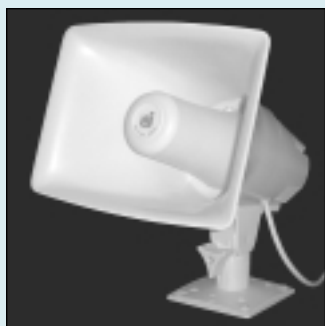
## ***200 & 400 Series***



*...performance  
you can hear*



# 200 Series Marine Speakers



- ❑ Full-sized re-entrant horn speaker with a rugged high performance compression driver.
- ❑ Aboard ship or on land the weather-tight corrosion resistant construction protects against high humidity, salt water spray and other harmful environments.
- ❑ Designed for noise penetration and good speech intelligibility for enhanced paging or hailing. Efficient output for fog horn, security alarm or Mayday signaling.
- ❑ Unique mounting base design offers quick and easy assembly and directional adjustment.
- ❑ Excellent sensitivity as a microphone in listening, intercom or talk-back systems.
- ❑ 8 ohm model rated at 40 watts continuous duty. 70.7 volt line model has taps at 16, 8, 4 and 2 watts on concealed transformer.
- ❑ All white horn and base blends with marine hulls and accessories.
- ❑ Horn body and cover made of UV stable, weatherable, marine grade polymer.
- ❑ Corrosion resistant construction with stainless steel fasteners. Magnet structure plated parts pass 96-hour salt spray test.
- ❑ Almost indestructible polycarbonate base plate can be mounted with stud gun, concrete nails or heavily torqued screws or bolts.
- ❑ Manufactured and tested under strict quality requirements.

## Physical Specifications

**Materials:** Horn body and cover; UV stable, impact resistant, weatherable, outdoor and marine grade polymer. Base and driver components; high stability flame retardant polycarbonate. Fasteners; stainless steel.

**Driver:** Compression type, integral with horn. Replaceable phenolic diaphragm driven by a high heat rated voice coil. Magnet structure

steel parts are plated per Mil. Spec. QQ-Z-325, type I, class 2, passes 96-hour salt spray test.

**Mounting Provision:** Fully adjustable, 2 axis, positive spline lock mounting assembly supports speaker near center of gravity. Removable polycarbonate base plate features provide multiple mounting options.

**Color:** White

**Wiring:** 2 conductor white jacketed 30" long cable on model 240-8M, 5 conductor black jacketed 30" long cable on Model 216/70-TM.

**Power Taps:** Color coded 5 conductor cable on Model 216/70-TM.

## Technical Specifications

### Power Handling

40 watts, Model 216/70-TM has 16, 8, 4 and 2 watt taps.

### Frequency Range:

(on axis)  
670-5500 Hz ( $\pm 3$  dB)  
400-8500 Hz ( $\pm 6$  dB)

### Sound Pressure Level:

(Average over 1 octave at 2 kHz, at 1 meter on axis, 0 dB Ref = 2.0E - 04 Microbars)

- ❑ 1 watt; 111 dB
- ❑ 16 watts; 122 dB
- ❑ 40 watts; 126 dB

### Talk-back Sensitivity as Microphone:

Reference 94 dB (1.0 Pa) SPL, 700-2000 Hz;  
Model 240-8M; 24  $\pm$  2 mv or -11.5 dBm  
Model 216/70-TM; -13.0 dBm

Model No.	Rated Input	Input Taps		Wt. (lbs.)
		Watts	Ohms ( $\pm 10\%$ )	
240-8M	8 ohms	40	8	3.5
216/70-TM	70.7 V line	16, 8, 4, 2	312, 625, 1250, 2500	4

## MOUNTING METHODS AND ACCESSORIES

<b>KBC123 Kit</b> Beam Clamp Mount	<b>KBJ123 Kit</b> Bar Joist Mount	<b>KTG123 Kit</b> Toggle Bolt Mount	<b>KPM123 Kit</b> Pole Mount
Fastening to Standard Utility Boxes 4" Square, Octagon or Duplex		Stud Driver or Concrete Nails	<b>KB400</b> Bug Screen

# Model 440-8M Marine Speaker

- Re-entrant horn speaker with a powerful and efficient 8 ohm compression driver.
- Efficiency and power handling capability in a corrosion resistant small package make this model ideal for many on board ship applications.
- Quality speech intelligibility for hailing, intercoms and enhanced marine radio output. Efficient output for fog horn, distress and security alarm signals.
- Excellent sensitivity as a microphone for listening or talk-back systems.
- The small all white package allows for inconspicuous installation as a deck horn. Also can be recess mounted using horn flange.
- Horn and mounting components made of weatherable, marine grade polymer.
- Corrosion resistant construction with stainless steel fasteners. Magnetic structure plated parts pass 96-hour salt spray test.
- A heat sink coupled to the driver dissipates heat to maintain efficiency and endurance at 40 watts of continuous duty.
- Vehicle Support Bracket (Model K4DM) available for rigid support in rough duty or high vibration applications.
- Manufactured and tested under strict quality requirements.

## Physical Specifications

**Materials:** Horn and mounting components; UV stable, impact resistant, weatherable, outdoor and marine grade polymer. Driver components; high stability flame retardant polycarbonate. Fasteners; stainless steel.

**Driver:** Compression type, integral with horn. Replaceable phenolic diaphragm driven by a rugged high temperature rated 1-1/2" diameter voice coil. Magnet structure steel parts are plated per Mil. Spec. QQ-Z-325, type I, class 2, passes 96-hour salt spray test.

**Mounting Provision:** Adjustable base has 4 slots on 2-3/4" diameter for #8 screws. Horn flange has four dimpled hole locators on 5-5/8" diameter for recessed mounting or mounting to vehicle support bracket.

**Color:** White

**Wiring:** 30" long, white jacketed cable.

**Net Weight:** 2-5/8 lbs.

## Technical Specifications

### **Input Impedance:**

8 ohms nominal

### **Power Handling:**

40 watts continuous duty

### **Frequency Range:** (on axis)

700-6500 Hz ( $\pm 3$  dB)

500-7000 Hz ( $\pm 6$  dB)

### **Sound Pressure Level:** (At 1 meter)

□ 1 watt, 500 to 5000 Hz, averaged; 107 dB

□ 1 watt, 1 octave at 2 kHz, averaged; 108 dB

□ 40 watts; 1 octave at 2 kHz, averaged; 123 dB

### **Coverage Angle:**

100° at 2 kHz, 6 dB down

### **Talk-back Sensitivity as Microphone:**

Reference 94 dB (1.0 Pa) SPL, 700-2000 Hz;

13.7  $\pm$  0.8 mv or -16.3  $\pm$  0.5 dBm

(0 dBm = 1 mw)

## Accessories

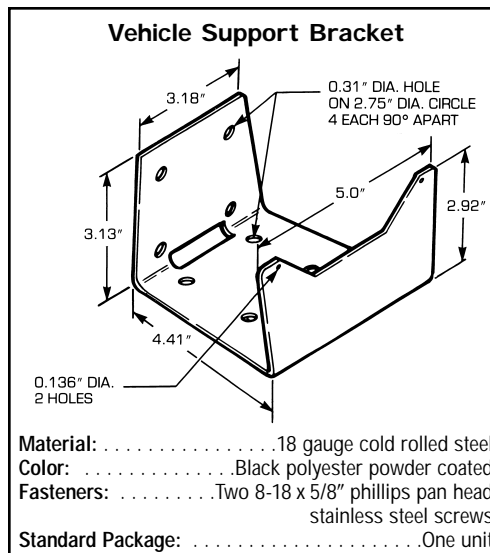
### **Bug Screen: Model KB400**

Open cell foam bug screen to stop bugs from building nests inside horn. Also helps reduce wind noise when unit is used as a microphone.

### **Vehicle Support Bracket: Model K4DM**

Coated steel bracket rigidly supports Model 440-8M against vibration and rough duty.

See Form 367.



Remote Speaker for Marine Radio

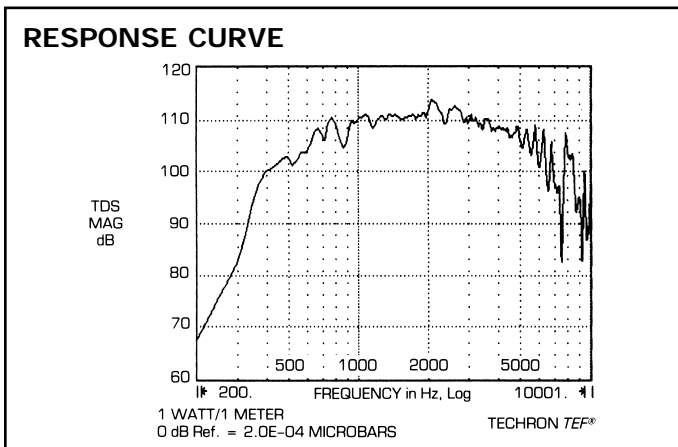
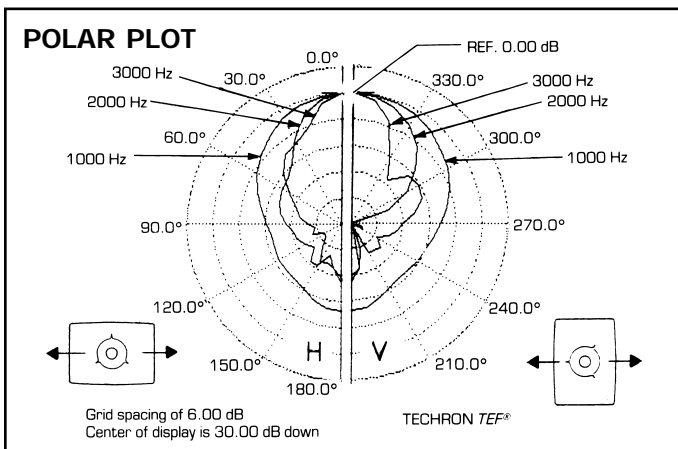
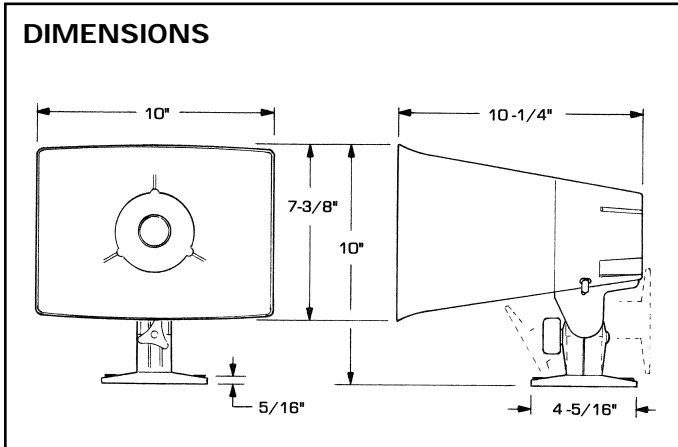
**FOURJAY** SINCE 1956  
INDUSTRIES, INC.

3400 STOP EIGHT ROAD • P.O. BOX 13617 • DAYTON, OH 45413-0617  
TELEPHONE (937) 890-6444 • FAX (800) 4J HORNS (454-6767)  
WEBSITE: <http://www.fourjay.com> • EMAIL: [4j@fourjay.com](mailto:4j@fourjay.com)



# Technical Information

## 200 Series



## 400 Series

