

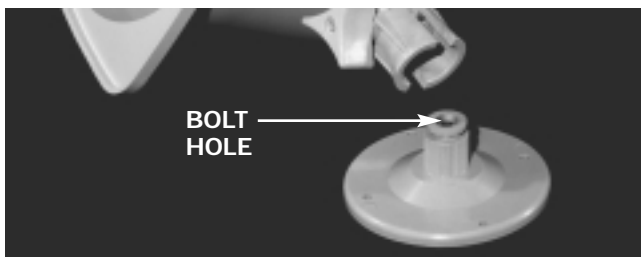


# 12 Watt Reflex Horn Speaker

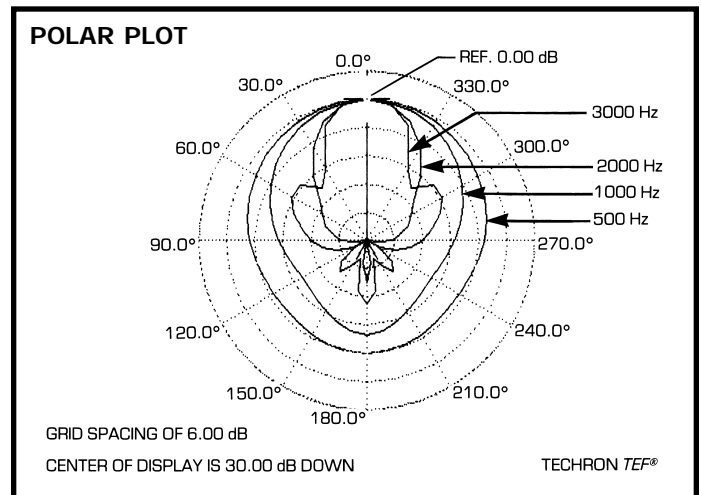
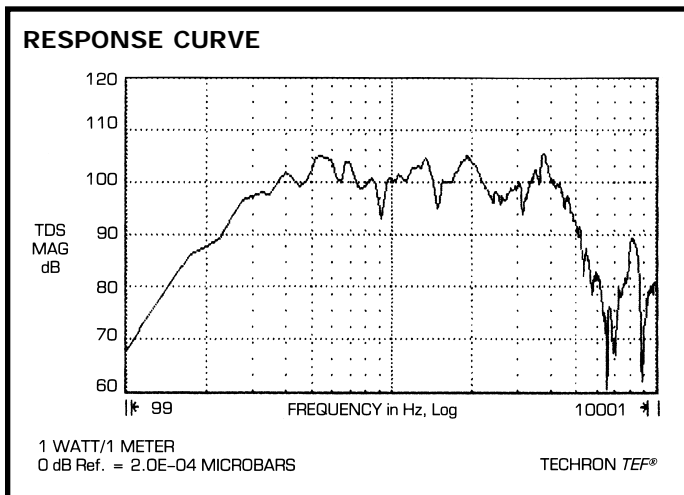
## for Music & Paging

### 312 Series

- Reflex horn speaker with good frequency range for music and paging applications in moderately noisy environments.
- Power rating 12 watts, continuous duty.
- Unique mounting base design offers quick and easy mounting and adjustment.
- Two hole patterns allow assembly of base plate to various electrical boxes.
- Strong but lightweight construction of impact & UV resistant ABS with polycarbonate base assembly and stainless steel fasteners.
- Polycarbonate base plate is strong enough to be mounted with stud gun or concrete nails.
- May be recess mounted – hole locations are dimpled on back of flange.
- Attractive tan color.
- 25 or 70.7 volt models are tapped with 5-conductor color coded cable.
- Manufactured in Fourjay's plant under strict quality requirements.



MODEL NO.	RATED INPUT	INPUT TAPS		WT. (lbs.)
		WATTS	OHMS ( $\pm 10\%$ )	
312-8	8 ohms	12	8	2
312/25-T	25 V line	12,6,3,1	52,104,208,625	2-1/2
312/70-T	70.7 V line	12,6,3,1	415,830,1660,5000	2-1/2



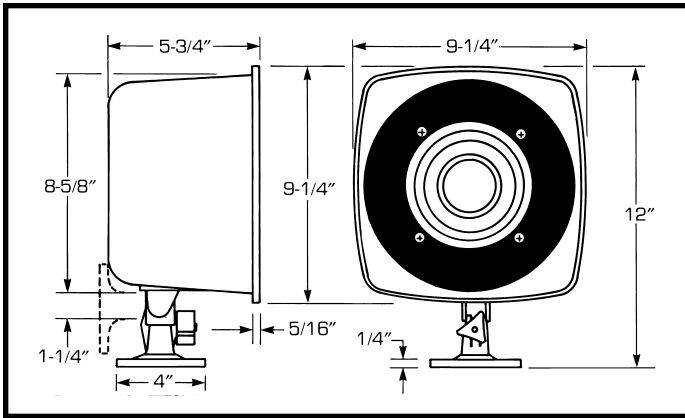
**FOURJAY** SINCE 1956  
**INDUSTRIES, INC.**

3400 STOP EIGHT ROAD • P.O. BOX 13617 • DAYTON, OH 45413-0617  
TELEPHONE (937) 890-6444 • FAX (800) 4J HORNS (454-6767)  
WEBSITE: <http://www.fourjay.com> • EMAIL: [4j@fourjay.com](mailto:4j@fourjay.com)

*Fourjay Quality—American Made*

IN STOCK

IMMEDIATE SHIPMENT



## TECHNICAL SPECIFICATIONS

**Power Handling:** 12 watts continuous duty.

**Frequency Range:** 230-5000 Hz ( $\pm 6$  dB)  
(On Axis) 140-6200 Hz ( $\pm 12$  dB)

**Sound Pressure Level:** (Model 312-8 at 1 meter)

- 1 watt, 500-5000 Hz, averaged; 101 dB
- 12 watts, 500-5000 Hz, averaged; 112 dB

### 5 CONDUCTOR INPUT CABLE POWER TAP CODE

MODELS	BLK	BRN	GRN	RED	WH
312/25-T 312/70-T	COM	12W	6W	3W	1W

## PHYSICAL SPECIFICATIONS

**Materials:** Impact resistant ABS horn. High stability polycarbonate mounting components. Stainless steel fasteners.

**Driver:** Cone type, 5-1/4" diameter loudspeaker. Steel parts plated to resist corrosion.

**Mounting Provisions:** Fully adjustable, 2-axis, positive spline lock mounting assembly. Removable polycarbonate base mounts to electrical boxes. Dimpled hole locators in flange for recessed mounting.

**Color:** Tan.

**Wiring:** 2-conductor black jacketed 18-gauge cable on Model 312-8. Color coded 5-conductor 20-gauge black jacketed cable on Model 312/25-T and 312/70-T.

## ARCHITECT'S & ENGINEER'S SPECIFICATIONS

The loudspeaker shall be a reflex driver type horn projector of integrated construction, Fourjay Model (312-8, 312/25-T, 312/70-T). It shall be rated 12 watts for voice or music material with an on-axis frequency response of 230 to 5000 Hz ( $\pm 6$  dB). The sound pressure level shall average 101 dB (1W/1M) for 500 to 5000 Hz.

The horn shall be tan in color and constructed of impact & UV resistant ABS with a matching color base assembly constructed of polycarbonate. All materials shall resist damage from extreme weather exposure and will retain mechanical properties from  $-20^{\circ}$  to  $+160^{\circ}$ F.

The mounting Provisions shall be a fully adjustable, 2-axis, positive spline lock assembly with removable base that will mount to many electrical boxes, or recess mounted using horn flange.

## MOUNTING METHODS AND ACCESSORIES

<b>KBC123 Kit</b> Beam Clamp Mount	<b>KBJ123 Kit</b> Bar Joist Mount	<b>KTG123 Kit</b> Toggle Bolt Mount	<b>KPM123 Kit</b> Pole Mount
Stud Driver or Concrete Nails	Mounting to Electrical Boxes		



**FOURJAY** SINCE 1956  
INDUSTRIES, INC.

3400 STOP EIGHT ROAD • P.O. BOX 13617 • DAYTON, OH 45413-0617  
TELEPHONE (937) 890-6444 • FAX (800) 4J HORNS (454-6767)  
WEBSITE: <http://www.fourjay.com> • EMAIL: [4j@fourjay.com](mailto:4j@fourjay.com)

*Fourjay Quality—American Made*