



Drive-Thru Speaker

Model 410-8BK



- Ideal for paging and talk-back communications in noisy environments such as drive-thru fast food, banking and self-serve stations.
- Conservatively rated at 10 watts continuous duty.
- Compression driver uses 1-1/2" voice coil and rugged phenolic diaphragm.
- Weather and corrosion resistant design uses stainless fasteners. Plating on driver meets 96 hour salt spray test. Other parts are made of high impact ABS.
- Black color and no front label helps concealment in a menu board or pedestal mounting.
- Adjustable mounting base will attach to a 3-inch electrical box.
- Flange holes allow for recessed mounting.
- Restricted bandwidth and coverage angle for good penetration and intelligibility.
- Excellent sensitivity as a microphone in a talk-back system.
- Minimal engine noise pickup when used as a talk-back microphone.
- Optional foam bug screen (Model KB400) helps reduce wind noise.



FOURJAY SINCE 1956
INDUSTRIES, INC.

3400 STOP EIGHT ROAD • P.O. BOX 13617 • DAYTON, OH 45413-0617
TELEPHONE (937) 890-6444 • FAX (800) 4J HORNS (454-6767)
WEBSITE: <http://www.fourjay.com> • EMAIL: 4j@fourjay.com

Fourjay Quality—American Made

PHYSICAL SPECIFICATIONS

Materials: Impact & UV resistant ABS horn and mounting components. High stability polycarbonate driver components.

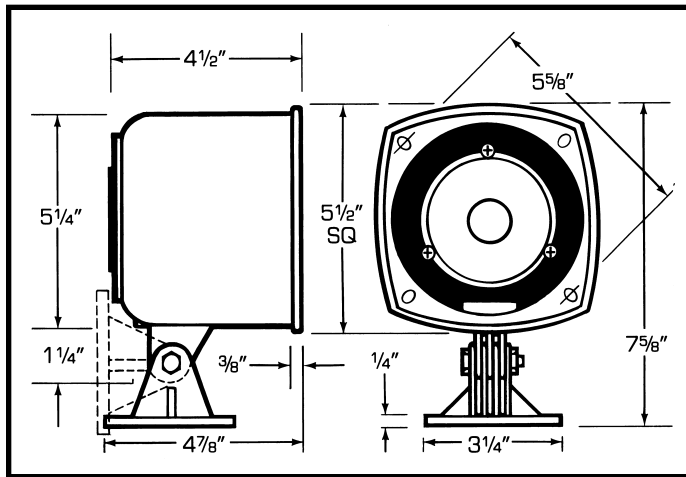
Driver: Compression type, integral with horn. Replaceable phenolic diaphragm is driven by a rugged high temperature rated 1-1/2" voice coil. Magnet structure steel parts are plated per Mil. Spec. QQ-Z-325, type I, class 2, passes 96-hour salt spray test.

Mounting Provisions: Adjustable base has 4 slots on 2-3/4" diameter for #8 screws. Horn flange has 4 holes on 5-5/8" diameter (4" square pattern) for #8 screws.

Color: Black. No front label..

Wiring: 30" long, black jacketed cable.

Net Weight: 2-1/3 lbs. (1.06 kg.)



TECHNICAL SPECIFICATIONS

Input Impedance: 8 ohms nominal.

Power Handling: 10 watts continuous duty.

Frequency Range: 700-6500 Hz (±3 dB)
(On Axis) 500-7000 Hz (±6 dB)

Sound Pressure Level: (At 1 meter)

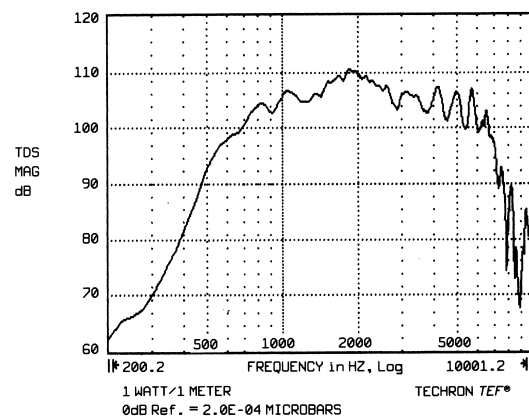
- 1 watt, 500-5000 Hz, averaged; 107 dB
- 1 watt, 1 octave at 2 kHz, averaged; 108 dB
- 10 watts, 1 octave at 2 kHz, averaged; 118 dB

Coverage Angle: 100° at 2 kHz, 6 dB down.

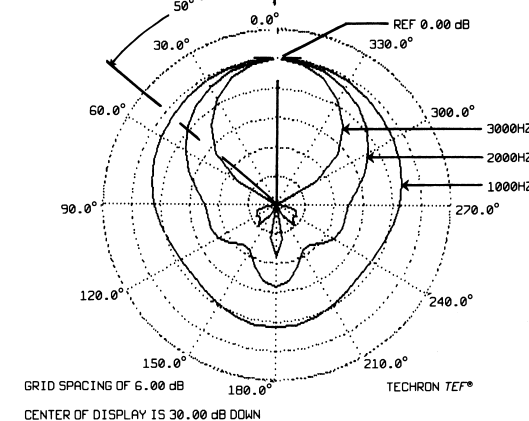
Talk-Back Sensitivity as Microphone:

Reference 94 dB (1.0 Pa) SPL, 700-2000 Hz;
 13.7 ± .8 mv or -16.3 ± .5 dBm (0 dBm = 1 mw).

RESPONSE CURVE



POLAR PLOT



ARCHITECT'S & ENGINEER'S SPECIFICATIONS

The loudspeaker shall be a re-entrant horn/compression driver type of integrated construction, Fourjay Model 410-8BK. It shall be conservatively rated for endurance and shall be driven by a phenolic diaphragm with a high temperature rated 1-1/2" diameter voice coil.

On-axis frequency response shall be 500 to 7000 Hz (±6 dB). Sound pressure level shall be 107 dB (1W/1M) average from 500 to 5000 Hz. Coverage angle shall be approximately 100° at 2000 Hz, 6 dB down. Power handling capabilities shall be 10 watts continuous duty with voice program signal input. Input impedance shall be a nominal 8 ohms.

Talk-back sensitivity as a microphone shall be an average of 16.3 dBm with on-axis pressure level of 94 dB as reference.

Housing constructed of impact and UV resistant ABS, rated to retain mechanical properties from -30° to 160° F. Color shall be black to aid concealment. All materials and plating shall resist damage from extreme weather exposure.

Dimensions of the horn shall be 4-1/2" deep by 5-1/2" square. Overall dimensions with base shall be 7-5/8" high by 4-7/8" deep. Provisions for mounting the loud speaker shall be clearance slots in the adjustable base and holes in the horn flange for installation versatility.

ACCESSORIES

Bug Screen Model KB400: Open cell bug screen to stop bugs from building nests inside horn. Also helps reduce wind noise when 410-8BK is used as a microphone.

Vehicle Support Bracket Model K4DM:

Coated steel bracket rigidly supports 410-8BK against vibration and rough duty. See Form 367.



FOURJAY SINCE 1956
INDUSTRIES, INC.

3400 STOP EIGHT ROAD • P.O. BOX 13617 • DAYTON, OH 45413-0617
 TELEPHONE (937) 890-6444 • FAX (800) 4J HORNS (454-6767)
 WEBSITE: <http://www.fourjay.com> • EMAIL: 4j@fourjay.com

Fourjay Quality—American Made