



Thundering Mini

40 Watts of thundering power
in a small package

440 Series

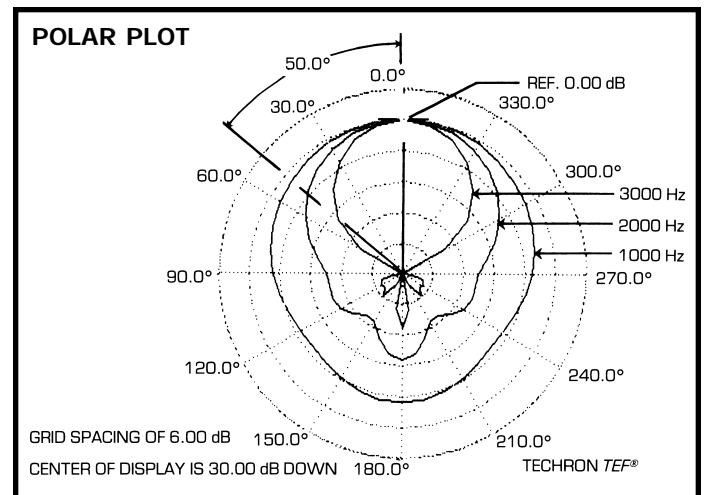
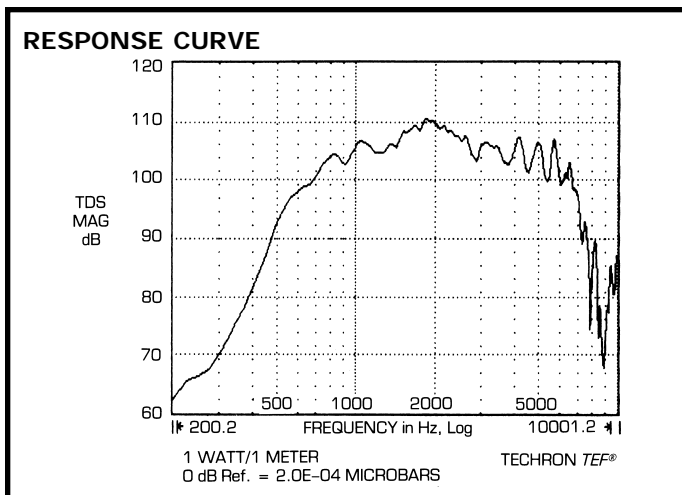
- A small re-entrant horn package with a powerful and efficient compression driver.
- Designed for good speech intelligibility, making it ideal for two-way communications on trucks, heavy equipment, boats, helicopters, etc.
- Rated at 40 watts continuous duty using a 1-1/2" diameter 8 or 45 ohm voice coil on a rugged phenolic diaphragm.
- The durable compression driver converts security system square wave torture into a high output distress signal.
- A heat sink coupled to the driver dissipates heat to maintain efficiency and endurance.
- Weather and corrosion resistant design uses stainless fasteners. Plating on driver meets 96-hour salt spray test. Other parts are made of impact and UV resistant ABS.
- Adjustable mounting base will attach to a 3 inch electrical box.
- Flange holes allow for recessed or concealed mounting.
- Vehicle Support Bracket (Model K4DM) available for rigid support in rough duty or high vibration applications.
- Restricted bandwidth and coverage angle for good penetration and intelligibility.
- Excellent sensitivity as a microphone in a talk-back system.
- Optional foam Bug Screen (Model KB400) stops nests in throat of horn and reduces wind noise when used as a microphone.
- Manufactured in Fourjay's plant under strict quality requirements.



Model 440-8 (8 OHMS)
Model 440-45 (45 OHMS)



Heat sink coupled to driver.



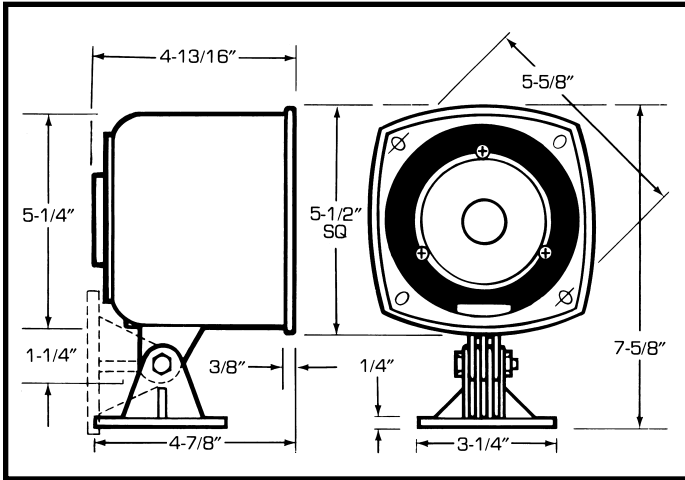
FOURJAY SINCE 1956
INDUSTRIES, INC.

3400 STOP EIGHT ROAD • P.O. BOX 13617 • DAYTON, OH 45413-0617
TELEPHONE (937) 890-6444 • FAX (800) 4J HORNS (454-6767)
WEBSITE: <http://www.fourjay.com> • EMAIL: 4j@fourjay.com

Fourjay Quality—American Made

IN STOCK

IMMEDIATE SHIPMENT



TECHNICAL SPECIFICATIONS

Input Impedance:

Model 440-8 – 8 ohms nominal
 Model 440-45 – 45 ohms nominal

Power Handling: 40 watts continuous duty.

Frequency Range: 700-6500 Hz (± 3 dB)
 (On Axis) 500-7000 Hz (± 6 dB)

Sound Pressure Level: (At 1 meter)

- 1 watt, 500-5000 Hz, averaged; 107 dB
- 1 watt, 1 octave at 2 kHz, averaged; 108 dB
- 40 watts, 1 octave at 2 kHz, averaged; 123 dB

Talk-Back Sensitivity as Microphone:

Reference 94 dB (1.0 Pa) SPL, 700-2000 Hz;
 440-8: 13.7 \pm 0.8 mv or -16.3 \pm 0.5 dBm
 440-45: 31.7 \pm 2.2 mv or -16.5 \pm 0.5 dBm
 (0 dBm = 1 mw).

PHYSICAL SPECIFICATIONS

Materials: Impact and UV resistant ABS horn and mounting components. High stability poly-carbonate driver components.

Driver: Compression type, integral with horn. Replaceable phenolic diaphragm is driven by a rugged high temperature rated 1-1/2" diameter voice coil. Magnet structure steel parts are plated per Mil. Spec. QQ-Z-325, type I, class 2, passes 96-hour salt spray test.

Mounting Provisions: Adjustable base has four slots on 2-3/4" diameter for #8 screws. Horn flange has 4 holes on 5-5/8" diameter (4" square pattern) for #8 screws.

Color: Tan with brown inner horn.

Wiring: 30" long, black jacketed cable.

Net Weight: 2-1/2 lbs. (1.14 kg.)

ARCHITECT'S & ENGINEER'S SPECIFICATIONS

The loudspeaker shall be a re-entrant horn/compression driver type of integrated construction, Fourjay model 440-8/440-45. It shall be rated 40 watts continuous duty and shall be driven by a phenolic diaphragm with a high temperature rated 1-1/2" diameter voice coil.

On-axis frequency response shall be 500 to 7000 Hz (± 6 dB). Sound pressure level shall be 107 dB (1W/1M) average from 500 to 5000 Hz. Coverage angle shall be approximately 100° at 2000 Hz, 6 dB down. Input impedance shall be a nominal 8 ohms/45 ohms.

Talk-back sensitivity as a microphone shall be an average of -16.3 dBm with on-axis pressure level of 94 dB as reference.

Housing constructed of impact & UV resistant ABS, rated to retain mechanical properties from -30° to +160°F. All materials and plating shall resist damage from extreme weather exposure.

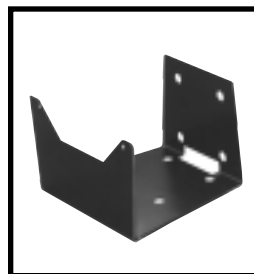
Dimensions of the horn shall be 4-13/16" deep by 5-1/2" square. Overall dimensions with base shall be 7-5/8" high by 4-7/8" deep. Provisions for mounting the loudspeaker shall be clearance slots in the adjustable base and holes in the horn flange for installation versatility.

ACCESSORIES



**Bug Screen
 Model KB400**

Open cell foam bug screen to stop bugs from building nests inside horn. Also helps reduce wind noise when unit is used as a microphone.



**Vehicle Support Bracket
 Model K4DM**

Coated steel bracket rigidly supports 440 Series against vibration and rough duty. See Form 367.



FOURJAY SINCE 1956
INDUSTRIES, INC.

3400 STOP EIGHT ROAD • P.O. BOX 13617 • DAYTON, OH 45413-0617
 TELEPHONE (937) 890-6444 • FAX (800) 4J HORNS (454-6767)
 WEBSITE: <http://www.fourjay.com> • EMAIL: 4j@fourjay.com

Fourjay Quality—American Made