



# Industrial/Institutional Surface Mount Speaker System

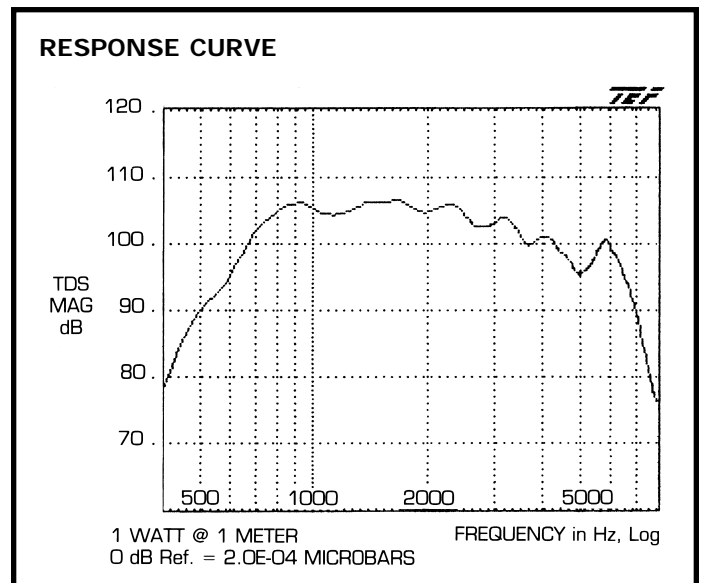
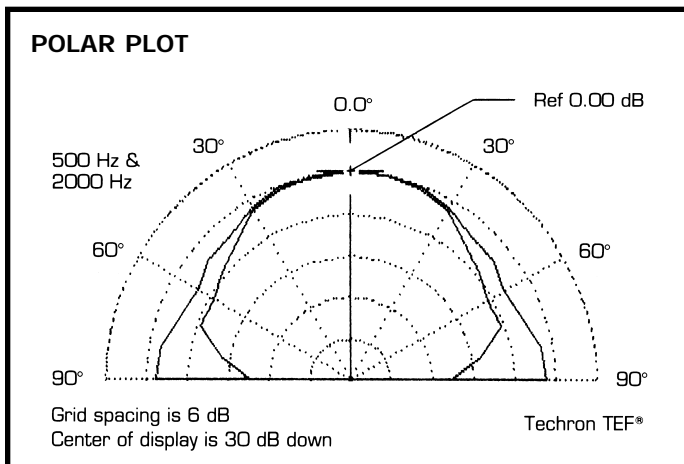
## for Voice Communications

### IS Series

- Surface-mount speaker system built to survive harsh treatment of industrial/institutional use.
- Sturdy spin-formed steel housing is protected by a non-glare white baked powder coat finish.
- Rugged integral compression driver for noise penetration and speech intelligibility.
- 16 watts continuous duty, 500 Hz to 7000 Hz frequency range.
- 25/70 volt line Model IS4T16 has taps at 16, 8, 4 & 2 watts.
- 45 ohm Model IS445 has excellent sensitivity as a microphone in talk-back systems.
- Versatile mounting allows surface conduit or in-wall electrical box wiring.



MODEL NO.	RATED INPUT	INPUT TAPS		WT. (lbs.)
		WATTS	IMPEDANCE	
IS445	45 ohms	16	45 ohms	5
IS4T16	25 V line	16,8,4,2	39,78,156,312	5.5
	70 V line		312,625,1250,2500	



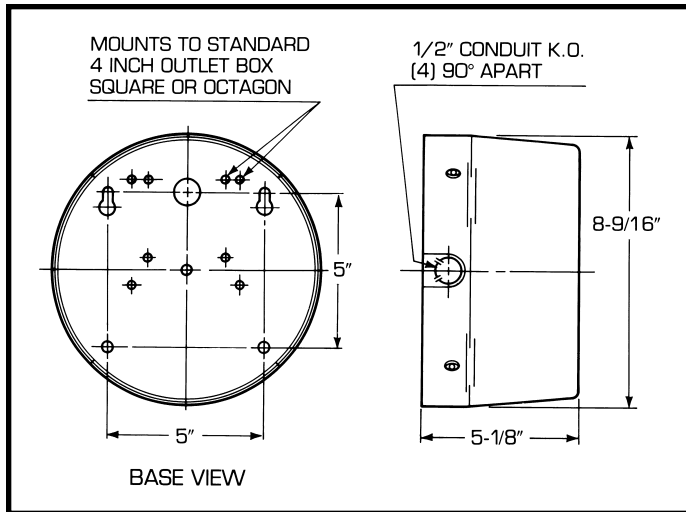
**FOURJAY** SINCE 1956  
**INDUSTRIES, INC.**

3400 STOP EIGHT ROAD • P.O. BOX 13617 • DAYTON, OH 45413-0617  
TELEPHONE (937) 890-6444 • FAX (800) 4J HORNS (454-6767)  
WEBSITE: <http://www.fourjay.com> • EMAIL: [4j@fourjay.com](mailto:4j@fourjay.com)

*Fourjay Quality—American Made*

IN STOCK

IMMEDIATE SHIPMENT



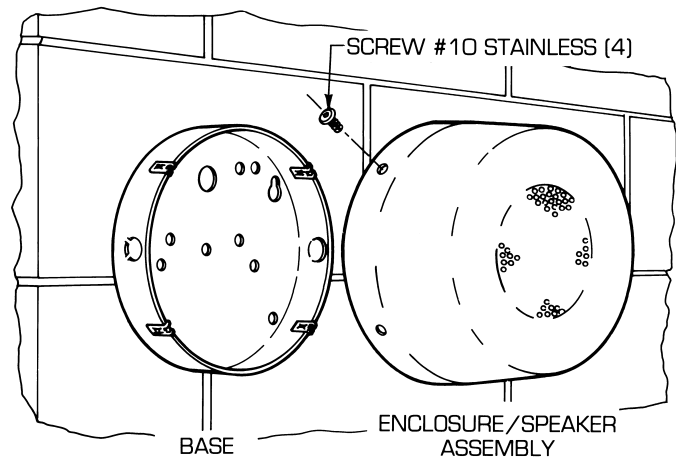
**TECHNICAL SPECIFICATIONS**

**Power Handling:** 16 watts continuous duty.

**Frequency Range:** 700-6500 Hz ( $\pm 3$  dB)  
(On Axis) 500-7000 Hz ( $\pm 6$  dB)

**Sound Pressure:** (1 octave at 2 kHz; at 1 M)  
105 dB at 1 watt; 117 dB at 16 watts.

**Talk-Back Sensitivity:** (Model IS445)  
Ref 94 dB (1.0 Pa) SPL 700-2000 Hz;  
28.6  $\pm$  1 mv or -17.4 dBm (0 dBm = 1 mw).



**PHYSICAL SPECIFICATIONS**

**Materials:** Enclosure and base; 18 gauge steel spin-formed to shape. Speaker; high impact ABS horn and high stability polycarbonate driver components.

**Finish:** White textured urethane powder coat full coverage for maximum corrosion protection and long lasting appearance.

**Speaker:** Enclosure unit has built in compression driver type horn speaker. Replaceable phenolic diaphragm is driven by a rugged high power 1-1/2" voice coil. Magnet structure steel parts are plated per Mil. Spec. QQ-Z-325, type I, class 2, passes 96 hour salt spray test.

**Mounting Provisions:** Base may be anchored directly to wall with screws as large as 1/4", or to recessed standard 4" square or octagon electrical box.

**Wiring:** Access through back for outlet box or hidden cable, or through side via one of four standard K.O.s for surface mounted conduit or cable. Turn enclosure on base to expose desired side K.O. entry. Wire directly to speaker or to transformer leads.

**Fasteners:** Enclosure assembly secured to base with four #10 stainless steel hex button head machine screws. Use standard 1/8" hex driver.

**ARCHITECT'S & ENGINEER'S SPECIFICATIONS**

The Industrial/Institutional surface mount speaker system shall consist of a round enclosure and base unit with integral compression driver horn speaker for voice communications. Enclosure and base shall be 18 gauge steel spin-formed and protected overall by a baked on powder coat urethane finish. The base shall have provisions for attachment to a common 4" recessed outlet box or to be fastened directly to a wall by screws as large as 1/4". Wiring shall enter through back for hidden cable or via one of four side entry K.O.s for surface cable or 1/2" conduit. The enclosure shall attach to the base with (4) #10 stainless steel hex drive screws. Color shall be UV stable White with a textured finish.

Frequency response shall be 500 to 7000 Hz, on axis. SPL at 16 watt input at 1 meter shall be 117 dB. Power handling capability shall be 16 watts continuous duty.

The speaker system in compliance with this specification is Fourjay Model IS445 (45 ohm impedance) or Fourjay Model IS4T16 (25 or 70 volt audio line).