



# Protective Enclosures

## PH8 Series

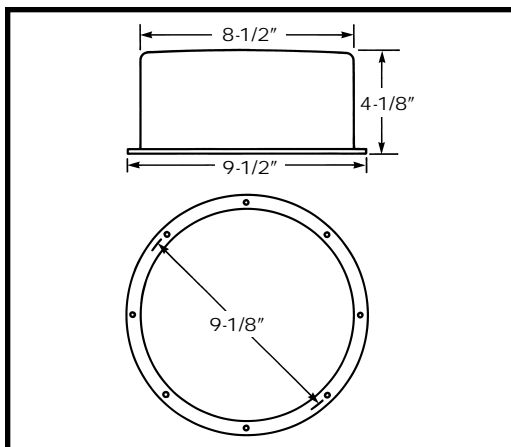


**Model PH8-1 or PH8-1X**



**Model PH8-4 or PH8-4X**

- Totally encloses and protects recessed side of speaker.
- Ideal for acoustical tile or drywall ceiling installations.
- No metallic resonance; mutes sound above ceiling or in walls.
- Fast installation when mounted to Fourjay mounting devices — Models: MR8(X), TB8(X), UMB(X), LAC8, and MR4/5(X).
- Quickly installs into existing ceiling using MR8(X) mounting ring.
- For open beam ceilings — use PH8-4X enclosure with any speaker/transformer/CR8 baffle assembly.
- PH8-1 (PH8-1X) has one 1/2" conduit knockout in top.
- PH8-4 (PH8-4X) has four 1/2" conduit knockouts 90° apart on side.
- Model PH8-1 and PH8-4 made of high density polyethylene.
- Model PH8-1X and PH8-4X made of Fourjay Flamex; UL94V-0 flame retardant ABS (See Form 410).
- Enclosure comes with mounting fasteners included (four U-nuts and four #8 x 3/4" screws per unit).



### ARCHITECT'S & ENGINEER'S SPECIFICATIONS

The protective enclosure shall be Fourjay model PH8-1(X) or PH8-4(X) with outside dimensions of 4-1/8" depth by 8-1/2" diameter (9-1/2" over flange) and inside dimensions of 4" depth by 8-1/4" diameter. Its mounting flange shall have eight equally spaced holes on 9-1/8" diameter circle. It shall be constructed of high density polyethylene thermoplastic (or UL rated 94V-0 flame retardant ABS thermoplastic). It shall provide totally enclosed loudspeaker protection when properly mounted to Fourjay mounting ring or Tee Bar bridge. It shall accept a loudspeaker with baffle mounting holes on 9-1/8" diameter centers. It shall have one 1/2" conduit knockout on top of enclosure (or it shall have 1/2" conduit knockouts 90° apart on sides of enclosure). Four U-nuts and four #8 x 3/4" sheet metal screws shall be furnished to securely fasten it to the mounting device.



**FOURJAY** SINCE 1956  
**INDUSTRIES, INC.**

3400 STOP EIGHT ROAD • P.O. BOX 13617 • DAYTON, OH 45413-0617  
TELEPHONE (937) 890-6444 • FAX (800) 4J HORNS (454-6767)  
WEBSITE: <http://www.fourjay.com> • EMAIL: [4j@fourjay.com](mailto:4j@fourjay.com)

*Fourjay Quality—American Made*

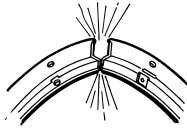
IN STOCK

IMMEDIATE SHIPMENT

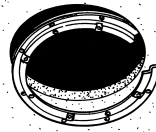
EXISTING-CEILING INSTALLATION



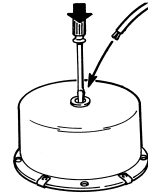
1. Cut a 10" hole for the MR8 and allow connecting wires to come through hole.



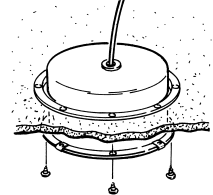
2. Snap mounting ring at split mark.



3. Thread split mounting ring through hole cut in Step 1.

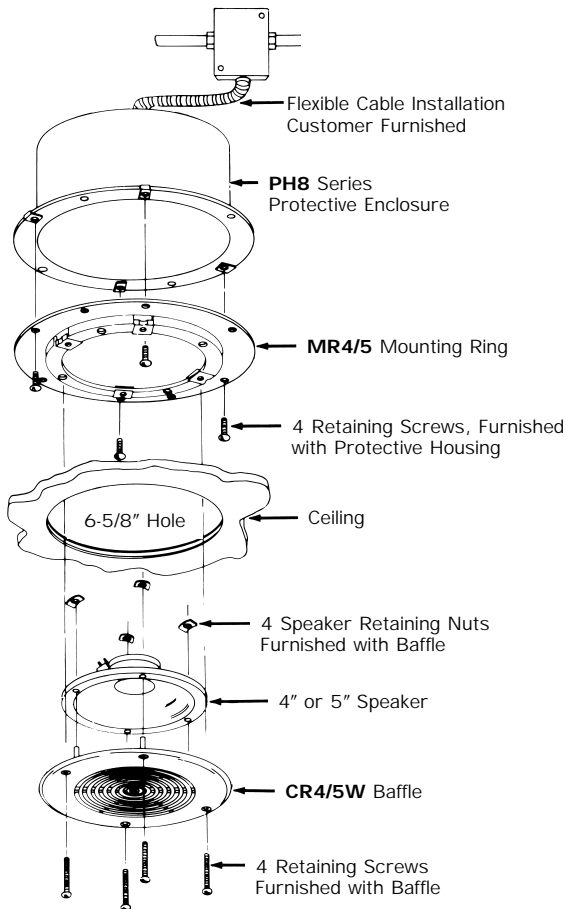


4. Punch hole, with screwdriver, in knockout of protective enclosure and bring connecting wires through punched hole.

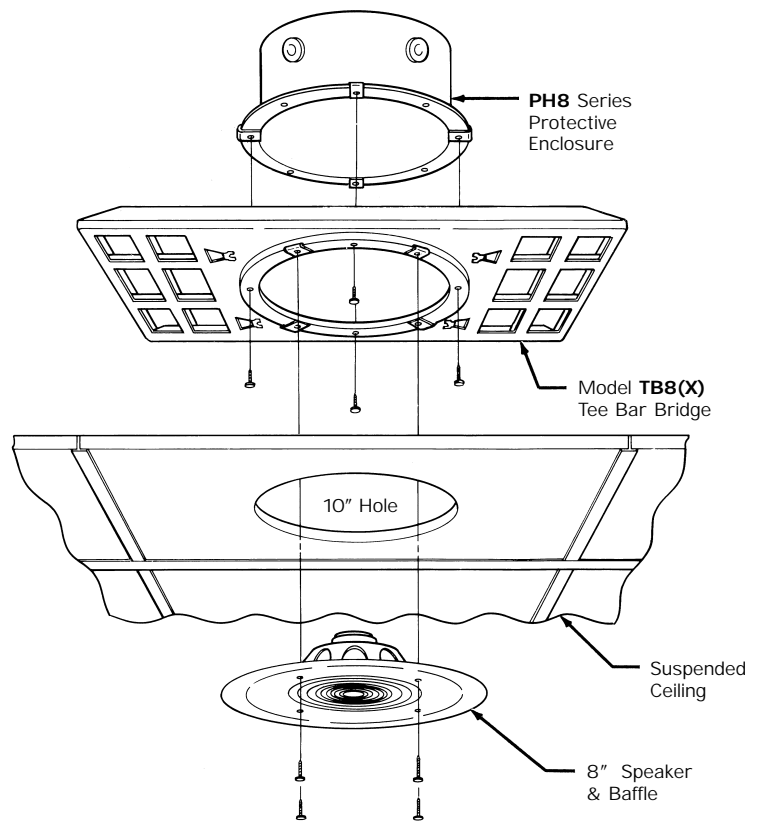


5. Push protective enclosure up through hole in mounting ring and attach with sheet metal screws provided.

PROTECTIVE ENCLOSURE WITH 4" OR 5" SPEAKER BAFFLE



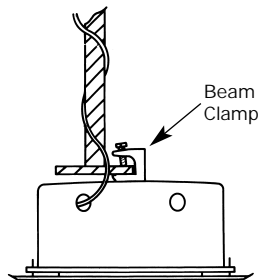
PROTECTIVE ENCLOSURE WITH 8" SPEAKER BAFFLE



OPEN-BEAM CEILING INSTALLATION

Fasten PH8-4X Enclosure to beam, then install CR8W speaker/baffle assembly.

KBC8 Beam Clip Kit suggested. For other beam attachment fasteners use large pattern fender type load bearing washer under screw head.



Speaker/transformer specifications for installation concepts shown above see Form 236, "Cone Speakers, Audio Transformers, Baffles, Factory Assembled Combinations".

For "Open Beam Ceiling" speakers using PH8 and other enclosures see Form 345.

**In Stock — Immediate Shipment!**



**FOURJAY** SINCE 1956  
INDUSTRIES, INC.

3400 STOP EIGHT ROAD • P.O. BOX 13617 • DAYTON, OH 45413-0617  
TELEPHONE (937) 890-6444 • FAX (800) 4J HORNS (454-6767)  
WEBSITE: <http://www.fourjay.com> • EMAIL: [4j@fourjay.com](mailto:4j@fourjay.com)

*Fourjay Quality—American Made*