



# AXCESS SERIES

## Accent Ceiling and Wall Speakers AX-Series

### Ceiling and In-Wall Speaker Systems.

Premium flush mount ceiling and wall speakers for full spectrum home theater or commercial sound background music with page. Attractive low profile white frame and white perforated grille hugs the ceiling or wall surface. Grille and frame are paintable to match any decor. Fast installation with compression input terminals for hookup and swivel-lock tabs for secure assembly to wall or ceiling. Match to audio line with Fourjay transformers and fastener kits.



AXCR68W

### Features.

- For home entertainment or commercial foreground music or background music with page.
- Paintable white frame and perforated grille.
- Compression terminals for fast hookup.
- Swivel-lock tabs quickly secure speaker to ceiling or wall and allow position adjustment.
- Audio line transformers and kits are available.
- No exposed screw heads.
- Template, paint mask, instructions provided.



AXCS68W



AXCW68W

### Recessed ceiling and wall speakers. Models AXCR68W and AXCS68W

Round AXCR68W, square AXCS68W, 30 watt recessed ceiling or wall speakers to suit any room plan. Coaxial 6.5" dia. woofer and 1" mylar tweeter provide full range performance. Requires a 7.5" dia. hole for installation. Easy alignment with T-bar grid pattern or wall. For ceilings a support device or bridge is recommended to stiffen the panel for acoustic quality and maintain flatness over time. See equipment notes below and instruction sheet provided with each speaker.

### Ceiling speakers support equipment:

- Model UMB6X bridge made of Flamex FR grade plastic for T-bar ceilings. See Forms 442 & 410.
- Model PB8 & PE8, UL listed steel bridge and enclosure for T-bar ceilings. See Form 444.
- Model BDW16 & BDW24, steel rough-in system for new work drywall ceilings. See Form 446.



### Recessed In-wall speaker system. Model AXCW68W

Attractive low profile rectangular 40 watt, 2 way, in-wall speaker provides full range performance. Use as primary or add-on speakers in home entertainment systems and commercial installations for high quality foreground or background music. Ideal for rooms of limited space. A 6.5" dia. high excursion woofer with 13 ounce magnet, a 1" mylar tweeter and LC network provide theater quality sound with typical wall cavity enclosure. Requires 7.25" x 10.25" cutout in drywall panel, template provided.



**FOURJAY** SINCE 1956  
**INDUSTRIES, INC.**

3400 STOP EIGHT ROAD • P.O. BOX 13617 • DAYTON, OH 45413-0617  
TELEPHONE (937) 890-6444 • FAX (800) 4J HORNS (454-6767)  
WEBSITE: <http://www.fourjay.com> • EMAIL: [4j@fourjay.com](mailto:4j@fourjay.com)

*World Made*

# Accent Ceiling and Wall Speakers

IN STOCK

IMMEDIATE SHIPMENT

## AXCR68W and AXCS68W

### ARCHITECT'S and ENGINEER'S SPECIFICATIONS

A recessed speaker for ceiling or wall, for distributed audio and foreground music shall be of co-axial design. The frame shall be made of high impact plastic and shall have hidden swivel tabs for mounting to ceiling or wall panel via a 7.5" dia hole. A friction fit painted metal grille shall cover and protect the installed speaker. Frame and grille color shall be neutral white and shall be paintable. Drivers shall be: LF 6.5" high compliance type; HF 1" mylar cone type. Specifications shall be: Power rating 30 watts RMS, 60 watts peak. Frequency response 60 Hz - 20 kHz. Sensitivity 89 dB (1W/1M). Impedance 8 ohms. There shall be posts to mount an audio line transformer. Depth behind mounting surface 2.75". Frame size: Round 9" dia. Square model 9" x 9". Speakers that comply with this specification are:  
**Fourjay Model AXCR68W (Round), and Fourjay Model AXCS68W (Square).**

## AXCW68W

### ARCHITECT'S and ENGINEER'S SPECIFICATIONS

A recessed in-wall speaker system for home theater and distributed sound shall consist of two drivers with LC network assembled to a sturdy frame. The frame shall be made of high impact grade plastic and shall have hidden swivel tabs for fast assembly to a wall panel via a rectangular 7.25" x 10.25" hole. A friction fit painted metal grille shall cover and protect the installed speaker. Frame and grille shall be neutral white and shall be paintable. Drivers shall be: LF 6.5" high compliance type; HF 1" dia. mylar cone type. Specifications shall be: Power rating 40 watts RMS, 80 watts peak. Frequency response 50 Hz - 20 kHz. Sensitivity 90 dB (1W/1M). Impedance 8 ohms. Depth behind mounting surface 3.25". Frame size 9" W x 12" H. There shall be features to mount an audio line transformer. Speakers that comply with this specification are:  
**Fourjay Model AXCW68W.**

### Specifications:

Model	AXCR68W	AXCS68W	AXCW68W
Power rating. Peak	60 watts	60 watts	80 watts
RMS	30 watts	30 watts	40 watts
Impedance. Nom.	8 ohms	8 ohms	8 ohms
Frequency response, Hz.	60 - 20K	60 - 20K	50 - 20K
Sensitivity. 1W/1M	89 dB	89 dB	90 dB
Drivers.	6.5" LF, 1" HF	6.5" LF, 1" HF	6.5" LF, 1" HF
Magnet weight. Woofer	9 oz.	9 oz.	13 oz.
Voice coil dia. Woofer	1"	1"	1"
Frame size.	9" diameter	9" square	9" x 12"
Cutout dimensions.	7.5" dia.	7.5" dia.	7.25" x 10.25"
Depth behind flange.	2.75"	2.75"	3.25"
Shipping weight, pounds.	4	4	5

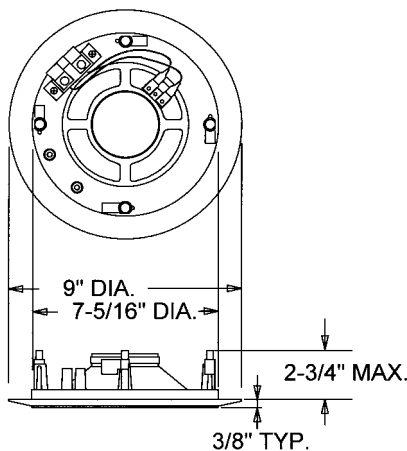
### Audio Line Transformers:

For 25 V or 70 V distributed systems an audio transformer may be assembled to the AXCR68W or AXCS68W grille frame or to the AXCW68W network board. See installation note with speaker and Form 236 for compatible high quality 4, 5, 12 and 16 watt Fourjay transformers.

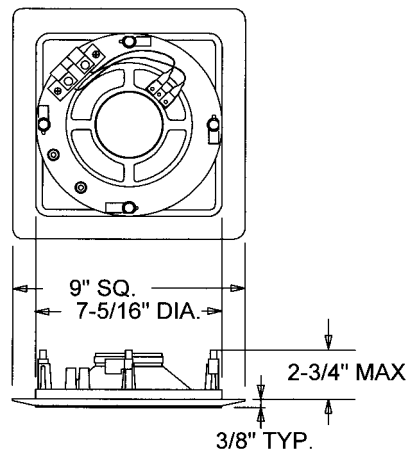
### Transformer Assembly Kits:

KTS68; for AXCR68W & AXCS68W.  
 KTSW; for AXCW68W.

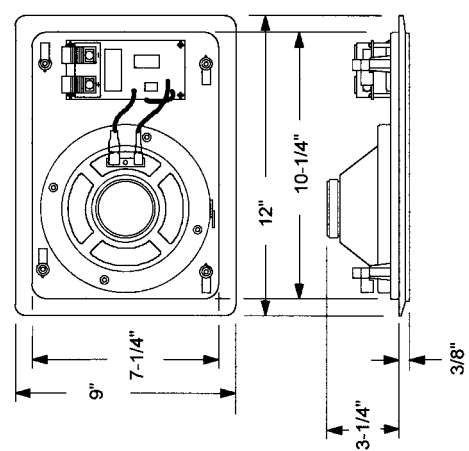
AXCR68W



AXCS68W



AXCW68W



**FOURJAY** SINCE 1956  
 INDUSTRIES, INC.

3400 STOP EIGHT ROAD • P.O. BOX 13617 • DAYTON, OH 45413-0617  
 TELEPHONE (937) 890-6444 • FAX (800) 4J HORNS (454-6767)  
 WEBSITE: <http://www.fourjay.com> • EMAIL: [4j@fourjay.com](mailto:4j@fourjay.com)

World Made