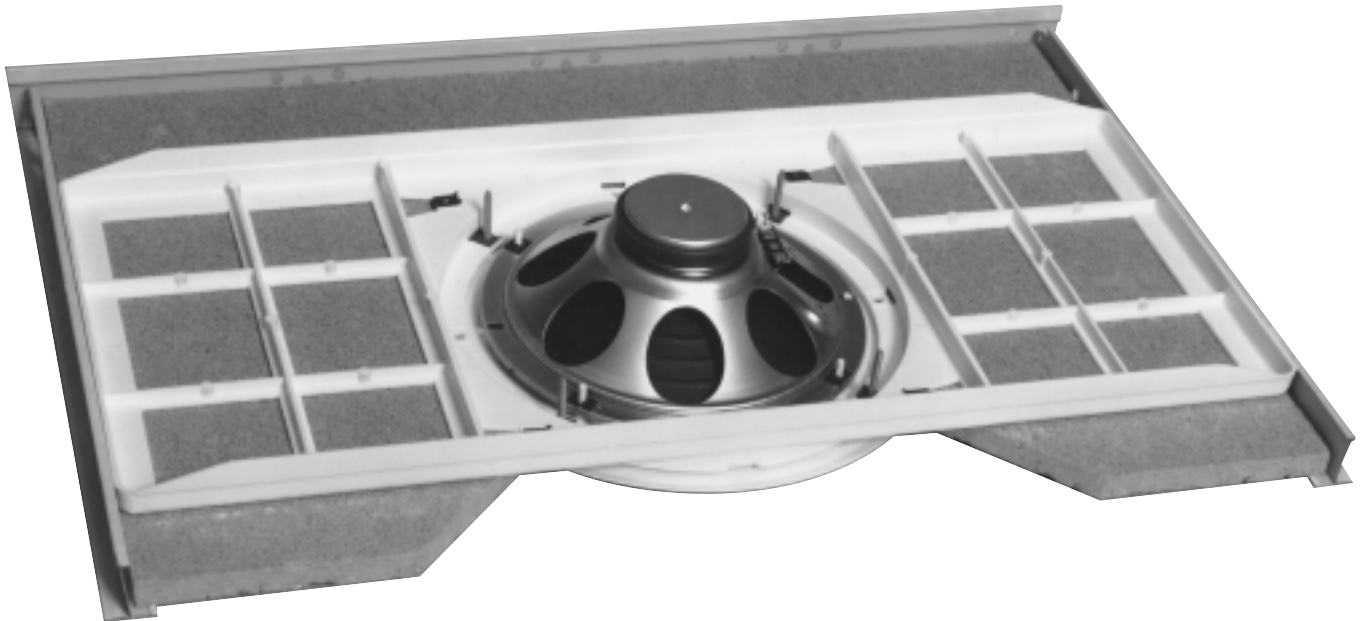




Tee Bar Bridging

for 8" Speaker Baffles

Model TB8 & TB8X



- The ORIGINAL device for supporting speaker assemblies in Tee-Bar acoustical ceilings.
- Model TB8 is made of high impact polystyrene.
Model TB8X is made of Fourjay's Flamex; UL rated 94V-0 flame retardant material.
(See Form 410).
- Bridging device places weight on T-bar grid and supports acoustical tile material when fully assembled.
- Bridge will support more than 4 times total assembled product weight in accordance with EIA safety guidelines.
- Fast, secure installation of all Fourjay standard 8" speaker baffles with mounting holes on 9-1/8" circle, and larger baffles with mounting holes on 11-1/4" circle.
- Accepts Fourjay PH8 Series protective housing which can be assembled on top of bridge, or through center of bridge from below.
- Fourjay square baffle, Model SS8W/SS8WX, will always be aligned with T-bar grid.
- Cut job time and reduce tile damage by placing bridge on T-bar before tile is installed, allowing ceiling experts to cut the holes.
- Mr. Scriber mounting hole marker supplied with each shipment.



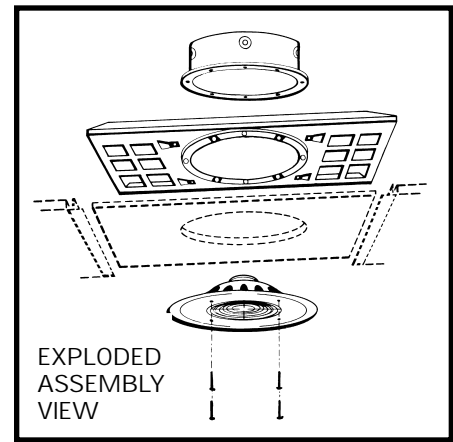
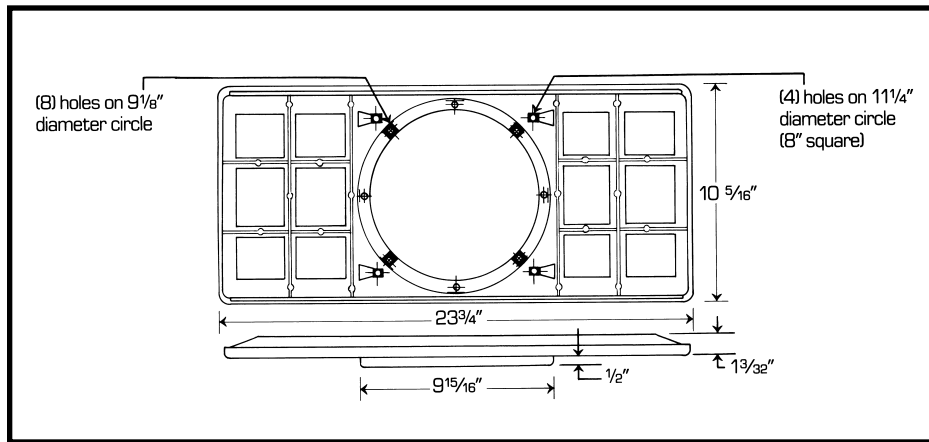
FOURJAY SINCE 1956
INDUSTRIES, INC.

3400 STOP EIGHT ROAD • P.O. BOX 13617 • DAYTON, OH 45413-0617
TELEPHONE (937) 890-6444 • FAX (800) 4J HORNS (454-6767)
WEBSITE: <http://www.fourjay.com> • EMAIL: 4j@fourjay.com

Fourjay Quality—American Made

PRODUCT SPECIFICATIONS

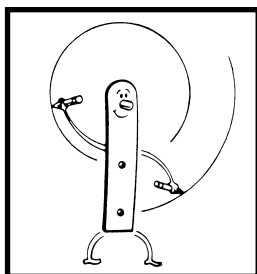
	Model TB8	Model TB8X
Size	10-5/16" W x 23-3/4" L	10-5/16" W x 23-3/4" L
Materials	High impact grade polystyrene	Fourjay Flamex flame retardant ABS, UL rated 94V-0. (See Form 410)
Load Deflection (10 lbs.)	.07 inch maximum	.08 inch maximum
Net Weight	.75 lb. (12 oz.)	.85 lb. (13.6 oz.)
Standard Pack	20 units	20 units
Shipping Weight	16 lbs. (standard)	19 lbs. (standard)
Fasteners	Assembled (4) self-retaining spring-clip type "U-nuts" #8-15 (for standard sheet metal screws), on 9-1/8" dia. circle. If #8-32 machine screws are used order KJN832 "J-nut" kit.	



ARCHITECT'S & ENGINEER'S SPECIFICATIONS

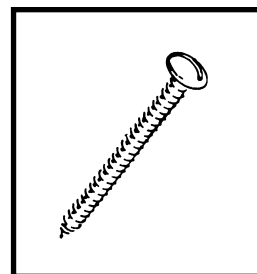
The support bridge shall be Fourjay Model TB8 (or TB8X) of dimensions 23-3/4" x 10-5/16". It shall be made of high impact material (or UL rated 94V-0 flame retardant material). When placed on 2' span of a 2' x 2' or 2' x 4' T-bar suspended acoustical tile ceiling, the bridge shall firmly support at least 4 times standard load, in accordance with EIA safety guidelines. The bridge shall accept a Fourjay Model PH8 Series protective housing. It shall have means to accept a speaker baffle, with loudspeaker mounted there-to, of either 9-1/8" or 11-1/4" diameter mounting circle. Attachment provisions shall include mounted spring clip nuts, (4) #8-15 to accept fasteners supplied with Fourjay standard baffles.

ACCESSORIES



MR. SCRIBER

Mounting hole marker supplied with each shipment.



KIT NO. K25

Extra long 2-1/2" white-headed screws are available for use with extra thick, low density tile. Special white truss heads match Fourjay white baffles. Kit contains 100 screws.



FOURJAY SINCE 1956
INDUSTRIES, INC.

3400 STOP EIGHT ROAD • P.O. BOX 13617 • DAYTON, OH 45413-0617
TELEPHONE (937) 890-6444 • FAX (800) 4J HORNS (454-6767)
WEBSITE: <http://www.fourjay.com> • EMAIL: 4j@fourjay.com

Fourjay Quality—American Made