



Tee Bar Bridging

For 4", 5" and 8" Speakers & Baffles
Models UMB & UMBX
 For 6-1/2" Music Speakers
Model UMB6X



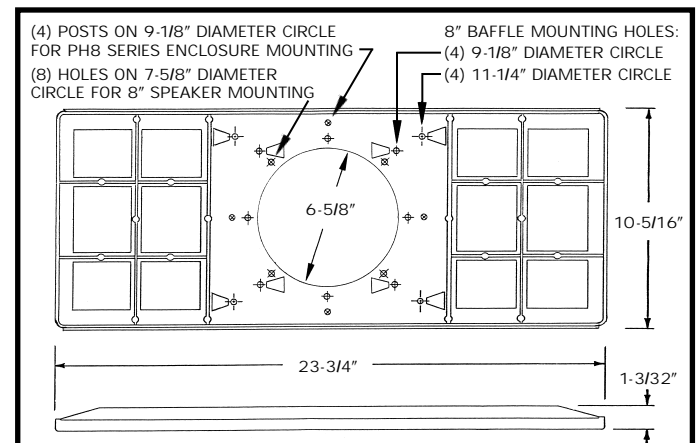
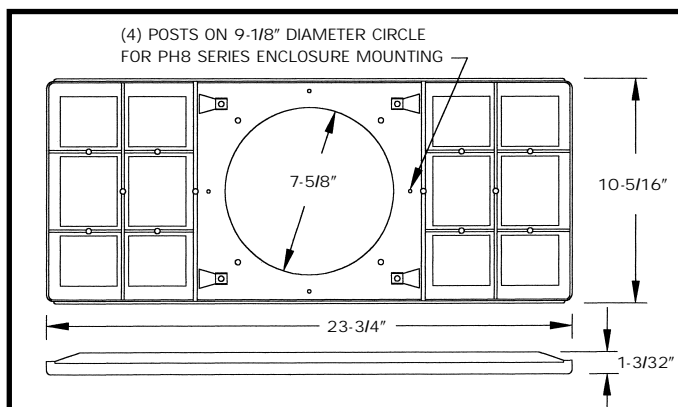
- Bridges for supporting **4", 5", 8" & 6-1/2"** speakers in T-bar grid acoustical tile ceilings.
- Bridge places load on T-bar grid. Supports ceiling tile panel and speaker/baffle system when fully assembled. **Prevents tile sag.**
- Bridge will support more than 4X typical full load, complies with EIA safety guidelines.
- Fourjay PH8 series enclosure fastens to top of bridge with supplied push-on retainers.
- Nestable design saves storage space.

Model UMB6X

- Supports swivel-tab mounted foreground music speakers, Fourjay AXCR68W and AXCS68W, in T-bar ceiling construction. Prevents tile sag.
- Made of Fourjay Flamex; UL94V-0 flame retardant ABS, (See Form 410).

Models UMB and UMBX

- Supports Fourjay Models LF4/5CW, CRM4/5W and CRM4/5WX baffle and mounting ring systems with speaker.
- Mount an 8" speaker directly to the bridge with (Model KSP8) fastener kit. Assemble, install and wire in a functional system before ceiling panels and baffles are in place.
- Model UMB is made of high impact grade Polystyrene. Model UMBX is made of Fourjay Flamex; UL94V-0 flame retardant ABS, (See Form 410).



FOURJAY SINCE 1956
INDUSTRIES, INC.

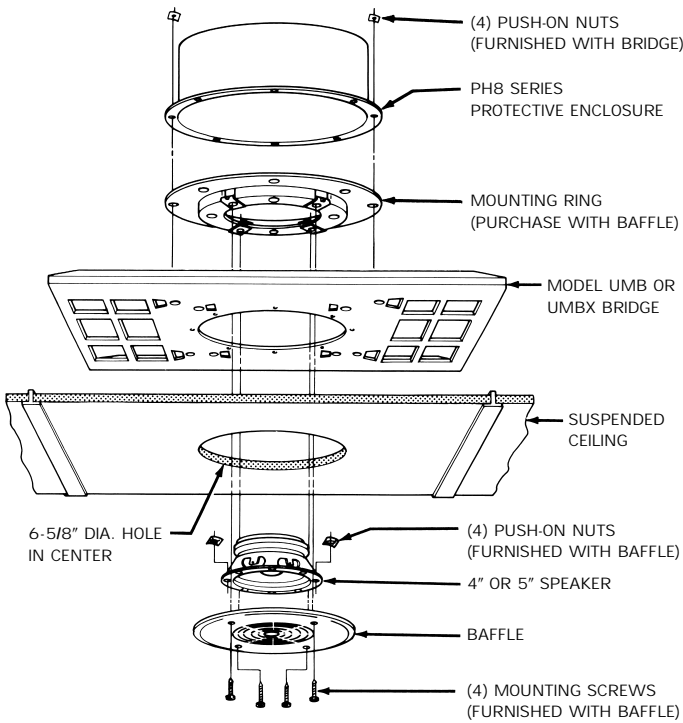
3400 STOP EIGHT ROAD • P.O. BOX 13617 • DAYTON, OH 45413-0617
 TELEPHONE (937) 890-6444 • FAX (800) 4J HORNS (454-6767)
 WEBSITE: <http://www.fourjay.com> • EMAIL: 4j@fourjay.com

Fourjay Quality—American Made

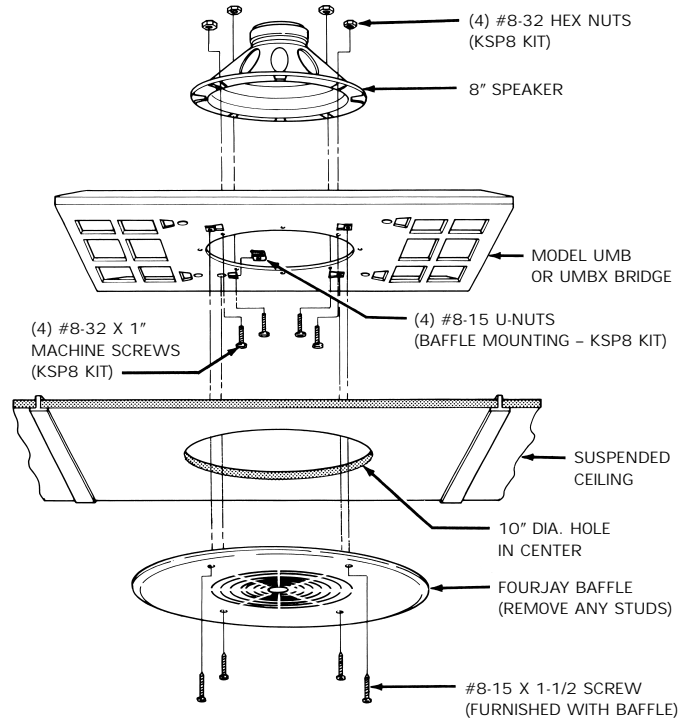
IN STOCK

IMMEDIATE SHIPMENT

4" OR 5" SPEAKER BAFFLE WITH PROTECTIVE ENCLOSURE



8" SPEAKER MOUNTED TO BRIDGE WITH KSP8 KIT



ARCHITECT'S & ENGINEER'S SPECIFICATIONS

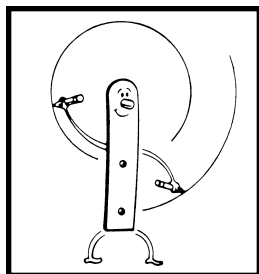
The support bridge shall be Fourjay model UMB (UMBX) of dimensions 23-3/4" X 10-5/16". It shall be made of high impact polystyrene thermoplastic (UL rated 94V-0 flame retardant ABS thermoplastic). When placed on 2' span of a 2' x 2' or 2' x 4' T-bar suspended acoustical tile ceiling, the bridge shall firmly support at least 4 times standard load, in compliance with EIA safety guidelines. The bridge shall have a means of accepting a 4" or 5" speaker on Fourjay model LF4/5CW(X) or CRM4/5W(X) baffle system. Alternately, the bridge with accessory kit model KSP8 shall accept an 8" speaker directly mounted thereto while also accepting a speaker baffle of either 9-1/8" or 11-1/4" diameter mounting circle. The bridge shall accept a Fourjay model PH8 series protective enclosure secured with four (4) furnished push-on nuts.

UMB6X with 6-1/2" speaker assembly see spec. page AX105, Models AXCR68W and AXCS68W. See installation note AX105-1.

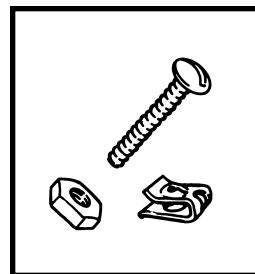
General Specifications:

Size (nestable) 23-3/4"L x 10-5/16"W		
Load Deflection (10 Lbs) 0.09" max.		
Fasteners per unit (4) push-on retainers		
Standard pack 20 units		
Net weights:	UMB	UMBX	UMB6X
Lbs.	0.75	0.85	0.88
Shipping wgt:	16	19	19

ACCESSORIES



MR. SCRIBER
Mounting hole marker supplied with each shipment.



KIT NO. KSP8
Includes (80) machine screws and (80) hex-nuts to mount 8" speaker directly to bridge; and (80) #8-15 U-nuts to mount baffle to bridge. See exploded view above.



FOURJAY SINCE 1956
INDUSTRIES, INC.

3400 STOP EIGHT ROAD • P.O. BOX 13617 • DAYTON, OH 45413-0617
TELEPHONE (937) 890-6444 • FAX (800) 4J HORNS (454-6767)
WEBSITE: <http://www.fourjay.com> • EMAIL: 4j@fourjay.com

Fourjay Quality—American Made